

 **COMUNELLO**

PRICE LIST

# Fort MY2020 Fortissimo!

 **COMUNELLO**



# 100%

Made in Comunello  
Made in Italy



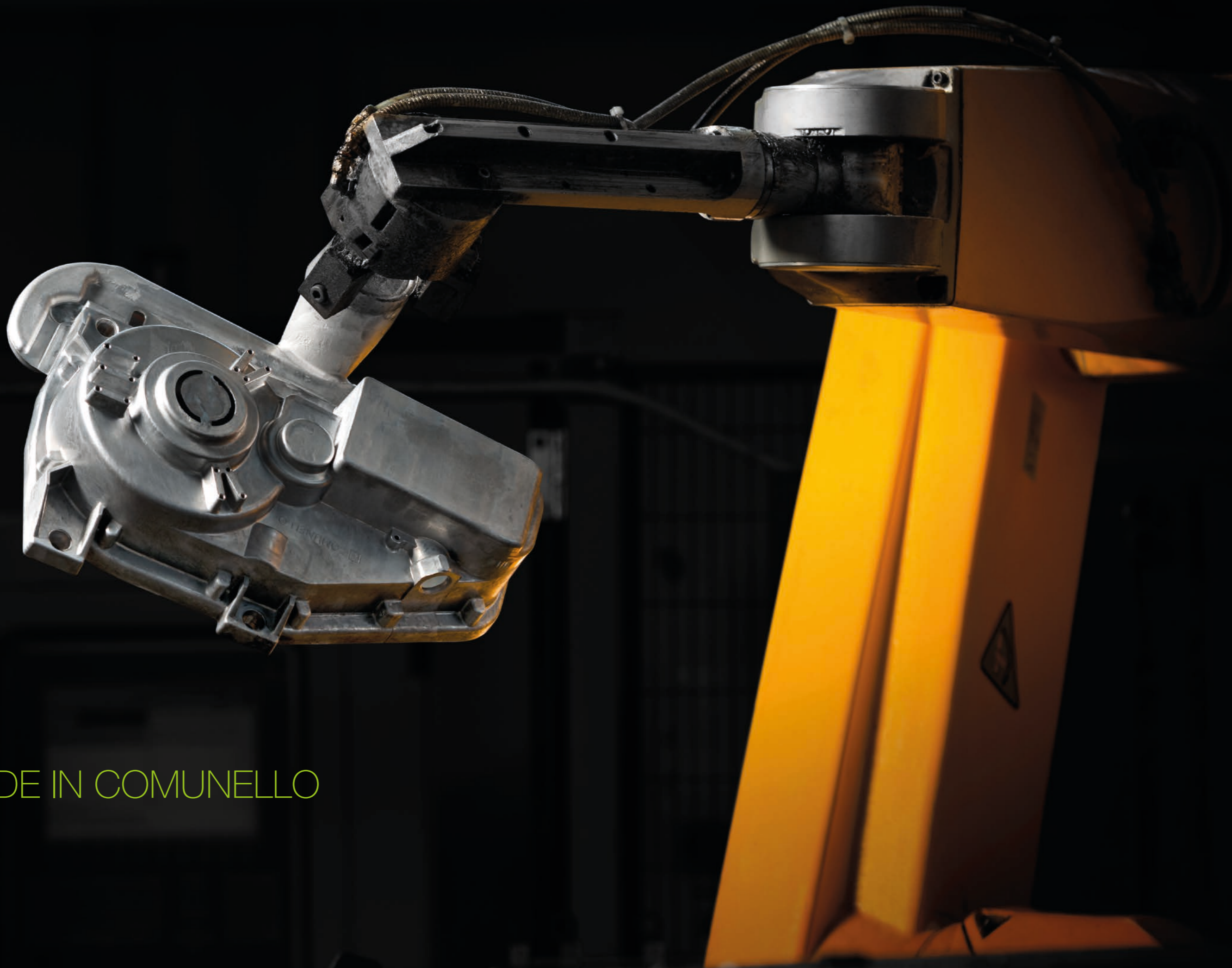
## Automation for now and for the

# FUTURE

The Comunello Group is built on a solid, reliable, well-structured manufacturing base. The group comprises 5 divisions in which all the products of each division are 100% designed and produced at company headquarters in Italy. This total control over manufacturing processes guarantees the highest levels of quality. Comunello was founded in 1965 and today exports to more than 105 countries worldwide.

A company with more than 50 years of manufacturing experience, a clear international vision based on the quality of our design, our groundbreaking technology, the solidity of our production, and our commitment to technical service and customer care.





MADE IN COMUNELLO

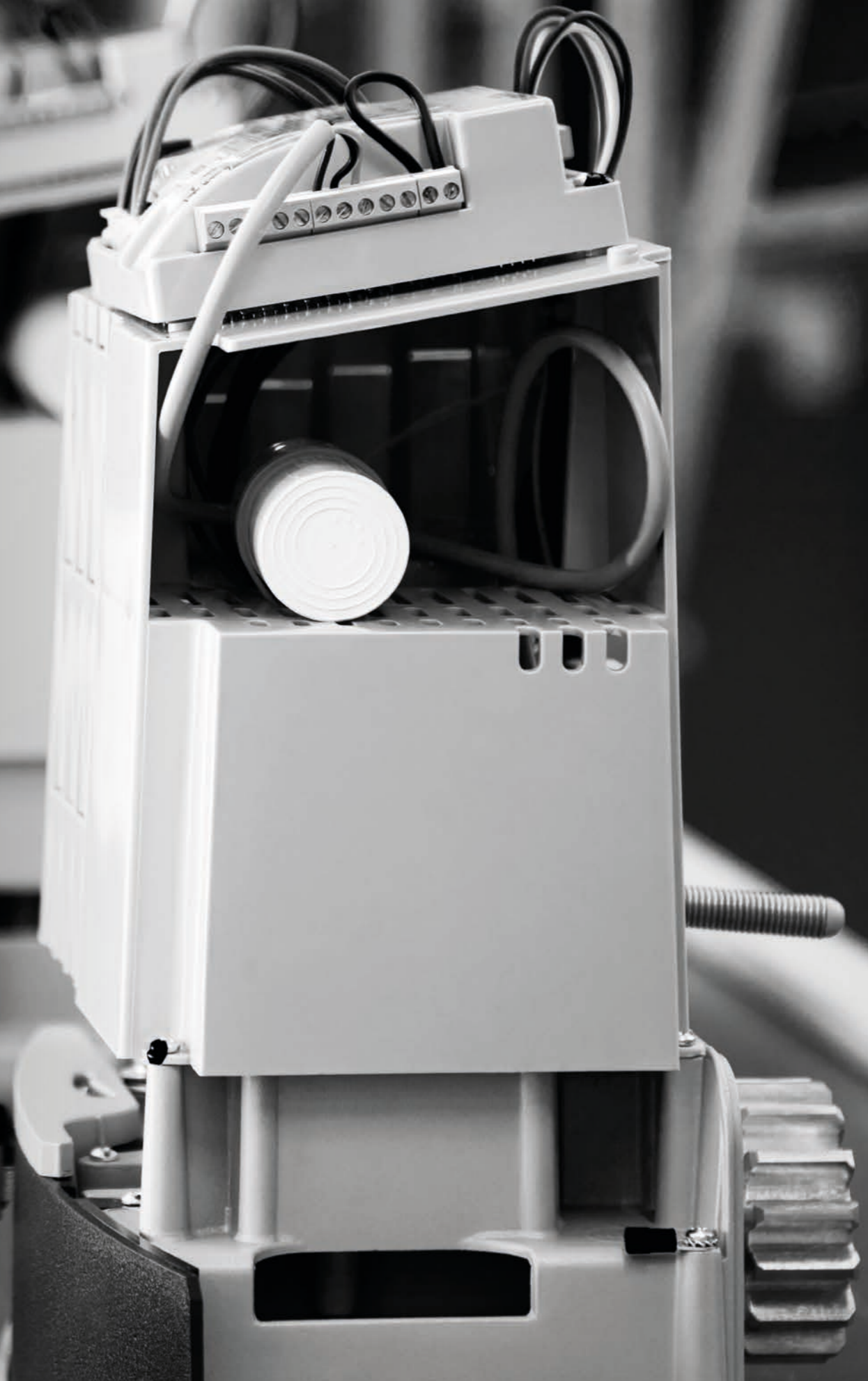
Precisely what you would

**EXPECT**

With our reputation for mechanical excellence and passion for movement, the Automation project is a natural expression of our company vision. As a result we offer products at a level of quality that is precisely what our clients would expect and deserve. In keeping with the company philosophy for making life easy, all control electronics have been designed to be as clear to use as

possible. Because we have spent more time in the design phase, you will spend less time for installation. All connections are clearly shown on the electronic control unit to facilitate a rapid and efficient set up.

Mechanical excellence  
Electrical simplicity





# INCREDIBLY

## simple and professional

Pro-setting allows for a fully articulated and detailed set-up. Incredibly easy, intuitive and rapid.



- Select the type of gate being installed.
- Auto-set provides a rapid and complete set-up.
- Rapid selection of motor direction/open-close setting.
- 3D visualization with touch screen control of the complete project with accessories visualized.
- In Pro-settings all parameters can be fine tuned for every aspect of the set-up.
- In Pro-settings the installer has complete management of up to 400 remote control codes.

ONE  
TECHNOLOGY





# HP CONTROL UNIT

## Two voltages, one programming logic

The HP electronic control unit provides a vast range of programming options making it ideal for use with even the most advanced home automation systems. Comunello has two types of unit at 24V and 230V. To make life easy the first series of commands is the same for both units, with set up based on a simple,

intuitive program select system using LEDs. And once the programming logic has been learned, it also applies to the other control unit. Life Made Easy!

### 24V HP



- Easy-to-use multi-level menu with clear LED guide for simple set up
- Motor direction set up
- 24V & 230V warning / working light output
- Control panel protective covering with printed instructions
- Motor brake
- Automated travel programming
- Double protection with fuse
- Direct adjustment of Speed (24V) or Force (230V), Slow Down and Sensitivity
- Auxiliary radio control channel
- Direct lock control output
- Photo-test for the photocell sensors
- Opto-isolated inputs
- Removable radio unit
- Back-up battery input (24V)
- Soft-Start & Soft-Stop
- Manual set up of movement
- Radio-controlled lock
- Simplified movement or schedule set up
- Encoder input
- Removable connectors and simplified layout
- Condominium function
- Gate status light output
- 8k2 security input

### 230V HP





# EUROPEAN STANDARDS

# EN 12453:2017

Comunello Group is at your side:

## 1. To inform:

### a. What are the current regulations?

EN 12453:2017 standards specifies compliance and safety requirements for automated locking that may come into contact with people, allowing you to define all the technical solutions necessary for the safety of the user.

### b. What are the contexts required by European standards?

Type of control	Hold to run	Impulse located in sight of gate	Impulse not located in sight of gate (radio control)	Automatic (Impulse)	
Exemples	switch or key operated switch	switch or key operated switch	Radio control unit	Operating cycle	
Conditions of use	no public present TRAINED User	<b>A</b>	<b>C</b>	<b>C</b>	<b>C + D</b>
	no public present UNTRAINED User	<b>C</b>	<b>C</b>	<b>C + D</b>	<b>C + D</b>
	public may be present TRAINED User	<b>B</b>	<b>C</b>	<b>C + D</b>	<b>C + D</b>
	public may be present UNTRAINED User	-	<b>C + D</b>	<b>C + D</b>	<b>C + D</b>

### c. What are the required safety devices?

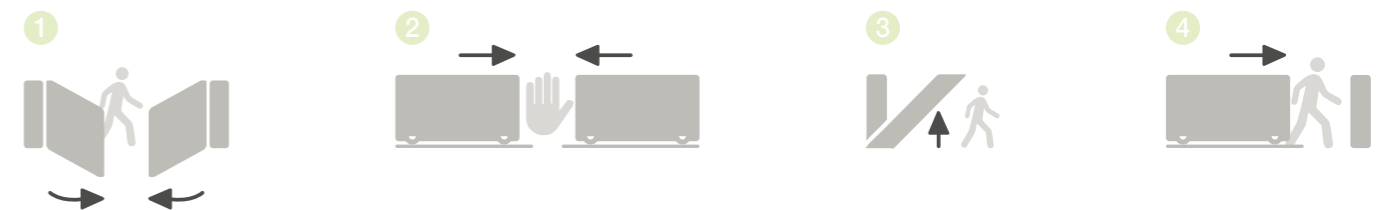
- A** Operator Presence (continuous pressure required).
- B** Operator Presence (continuous pressure not required).
- C** Mechanical (sensitive edges) and electronic devices. You need to check whether the maximum impact forces are in line with the values required by the standards.
- D** Photocells, to allow detection of the presence of an obstacle in the automation operational area.

## 2. To offer “turnkey solution” :

### a. COMUNELLO certifies the products are in compliance with the standards.

When a gate, a door or other type of opening is automated, it becomes a machinery which may involve risks. These are of different types:

- 1- Crushing
- 2- Shearing
- 3- Lifting (in case of barrier with a vertical movement)
- 4- Conveying



### b. provides complete solution in order to certify the installation.

the wide range of automation for slide and swing gates, barriers and garage doors has been developed and produced conforming to the security European Norms. Such automations allow the installer to certify his installation. For further details please contact our tech support.

[technical\\_assistance@comunello.it](mailto:technical_assistance@comunello.it)

# INDEX

## Sliding and cantilever gates



FORT | pag. 18



FORT 2500 | pag. 28



FORT 3500 | pag. 30

## Swinging gates



EAGLE | pag. 34



CONDOR SERIES | pag. 42



ABACUS | pag. 54



RAM | pag. 64

## Garage doors



RAMPART | pag. 70



SALIENT | pag. 76

## Road barriers



BORDER | pag. 82



LIMIT 500 | pag. 86



LIMIT 600 | pag. 90



LIMIT 800 | pag. 94

## MY2020 Accessories | pag. 100



# FORT MY2020

## Technical features



Robust carter with anti UV treatment

Release for manual operation with key and integrated aluminum lever

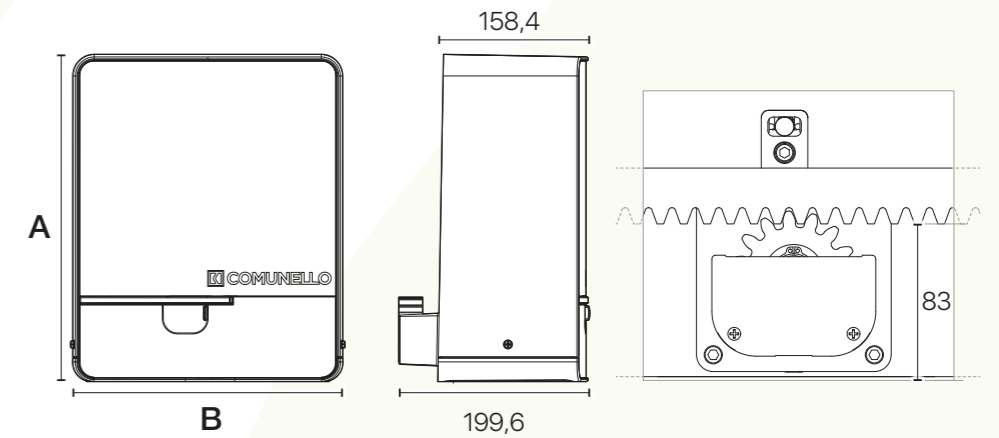
Die-cast aluminum structure

Stainless steel fixing screw for openings with both screwdriver and wrench, this allows a facilitated installation of the actuator even in the position near the column

### DIMENSION (mm)

FORT 400-500:  
**A=325 - B=237**

FORT 600-800-1000-1500:  
**A=345 - B=285**



### GENERAL FEATURES

**Performance:** Mechanical performance and lubrication tested and guaranteed even at low temperatures

**Speed:** Nominal speed and slowdown adjustable up to 0.28 m / s

**Obstacle detection:** Obstacle detection by current absorption or encoder

**Intensive use:** 24vdc version for intensive use

### TECHNICAL FEATURES

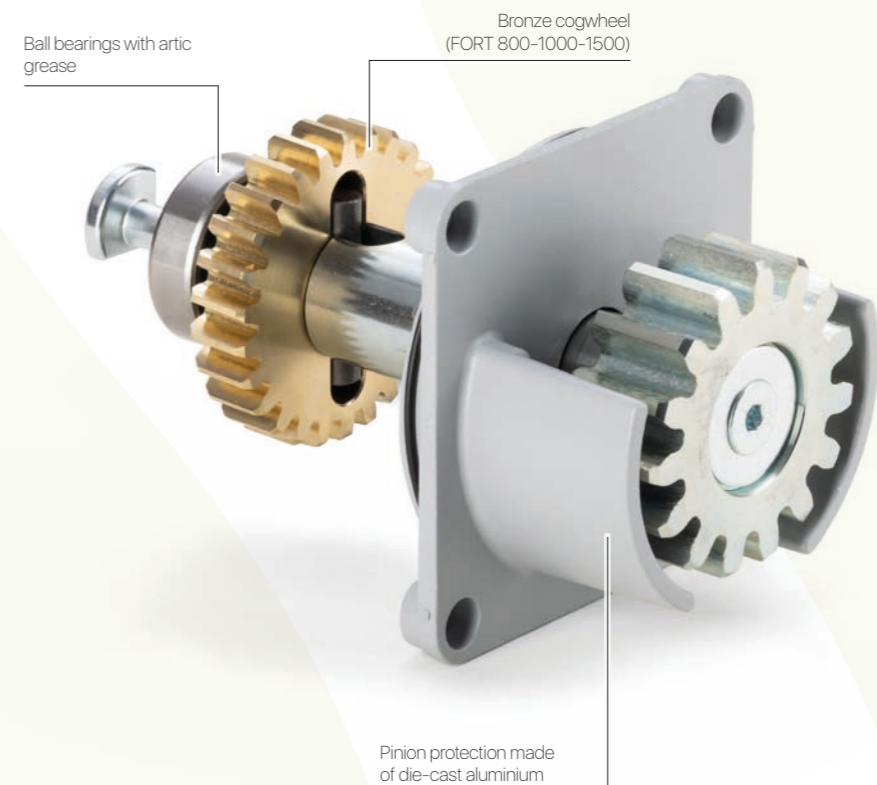
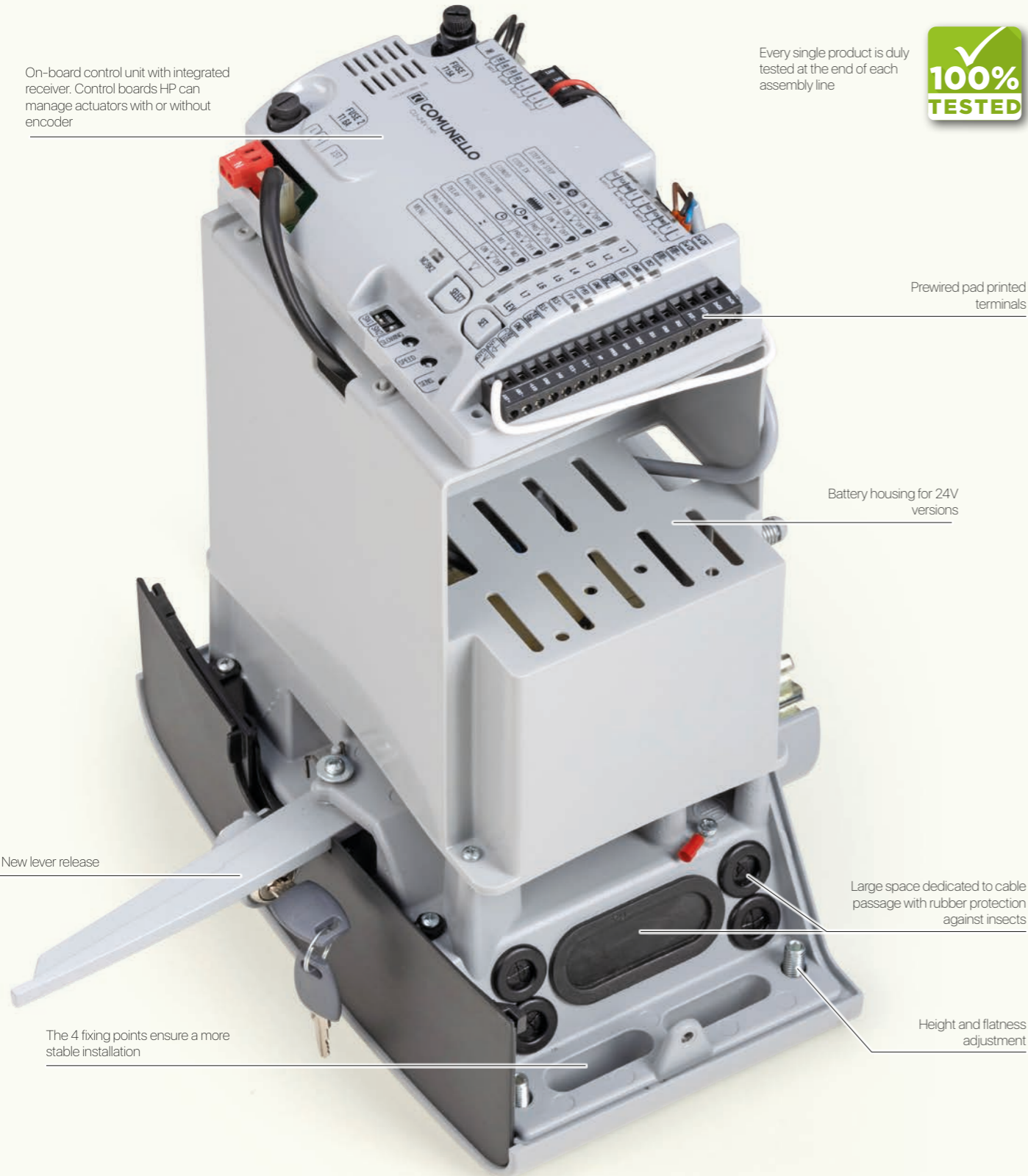
	FORT 400 24V FORT 400 ONE	FORT 500 230V	FORT 600 24V FORT 600 ONE	FORT 800 24V FORT 800 ONE	FORT 800 230V	FORT 1000 24V FORT 1000 ONE	FORT 1000 230V	FORT 1500 230V
Voltage	230 VAC 50 Hz	230 VAC 50 Hz	230 VAC 50 Hz	230 VAC 50 Hz	230 VAC 50 Hz	230 VAC 50 Hz	230 VAC 50 Hz	230 VAC 50 Hz
Operating power supply	24 VDC	230 VAC	24 VDC	24 VDC	230 VAC	24 VDC	230 VAC	230 VAC
Power consumption	70 W	280 W	110 W	150 W	320 W	150 W	340 W	460 W
Max. absorption	3,0 A	1,2 A	5,0 A	5,6 A	1,4 A	6,2 A	1,5 A	2,0 A
Internal gear	Nylon	Nylon	Nylon	Bronze	Bronze	Bronze	Bronze	Bronze
Max. thrust	350 N	450 N	550 N	750 N	750 N	900 N	900 N	1400 N
Duty cycle	Intensive use	30%	Intensive use	30%	30%	Intensive use	30%	30%
Protection degree (IP)	IP44	IP44	IP44	IP44	IP44	IP44	IP44	IP44
Insulation class	2	1 (earthing)	2	2	1 (earthing)	2	1 (earthing)	1 (earthing)
Working temperature	-20°C / +50°C	-20°C / +50°C	-20°C / +50°C	-20°C / +50°C	-20°C / +50°C	-20°C / +50°C	-20°C / +50°C	-20°C / +50°C
Max. gate weight	400 Kg	500 Kg	600 Kg	800 Kg	800 Kg	1000 Kg	1000 Kg	1500 Kg
Rack module	M4	M4	M4	M4	M4	M4	M4	M4
Speed	0,26 m/s	0,17 m/s	0,28 m/s	0,28 m/s	0,17 m/s	0,21 m/s	0,17 m/s	0,17 m/s
Weight	8,9 Kg	9,9 Kg	10,6 Kg	12 Kg	12 Kg	12 Kg	12,4 Kg	12,6 Kg

# FORT MY2020

Technical features

On-board control unit with integrated receiver. Control boards HP can manage actuators with or without encoder

Every single product is duly tested at the end of each assembly line



# FORT ONE BUS

Automation for sliding gates  
24 Vdc - ONE TECHNOLOGY



24 Vdc motor, with built-in encoder and electronics, for sliding gates up to 1000 kg

			Max. leaf weight				Fixing KIT*		
<b>FORT 400 ONE</b>	24 Vdc	G1F040MEL0B00A	400 kg	CU ONE 1M	•	•	•	8,9 kg	30
<b>FORT 600 ONE</b>	24 Vdc	G1F060MEL0B00A	600 kg	CU ONE 1M	•	•	•	10,6 kg	30
<b>Fort 800 ONE</b>	24 Vdc	G1F080MEL0B00A	800 kg	CU ONE 1M	•	•	•	12 kg	30
<b>FORT 1000 ONE</b>	24 Vdc	G1F100MEL0B00A	1000 kg	CU ONE 1M	•	•	•	12 kg	30

\* Electromechanical limit switch included, available with magnetical limit switch version



Accessories compatibles with ONE TECHNOLOGY serie

	<b>AC-51</b>	Back-up battery	G1BATTERLOG00	1	1,3 kg
	<b>I/O ONE</b>	Interface board I/O ONE	G1INTERFLOBOO	1	0,5 kg
	<b>AC-35</b>	Signal amplifier for 433 MHz remote controls	GAMPLANTLOG00	1	0,2 kg
	<b>K-ONE</b>	Wi-Fi connection key, One Technology	G1KEYWIFLOG00	1	0,02 kg

# FORT ONE BUS KIT System



Complete kits for sliding gates, 24 Vdc, up to 1500 kg

	KIT System			
	<b>Fort 400 ONE</b>	GK1F040MLB000A	9,5 kg	30
	<b>Fort 600 ONE</b>	GK1F060MLB000A	11,2 kg	30
	<b>Fort 800 ONE</b>	GK1F080MLB000A	13 kg	30
	<b>Fort 1000 24V ONE</b>	GK1F100MLB000A	13 kg	30



## KIT System



# FORT

Automation for sliding gates  
24 Vdc and 230 Vac with encoder - mechanical and magnetic limit switch



24 Vdc and 230 Vac motor with built-in electronics for sliding gates up to 1500 kg

	Voltage	Product code	Max. leaf weight	Control unit	Encoder	Radio receiver	Magnetic endstops	Fixing kit*	Weight	Quantity per pallet
<b>FORT 400</b>	24 Vdc	GFT040MELOB00A	400 kg	CU 24V HP	•	•	•	•	8,9 kg	30
<b>FORT 600</b>	24 Vdc	GFT060MELOB00A	600 kg	CU 24V HP	•	•	•	•	10,6 kg	30
<b>FORT 800</b>	24 Vdc	GFT080MELOB00A	800 kg	CU 24V HP	•	•	•	•	11,6 kg	30
<b>FORT 1000</b>	24 Vdc	GFT100MCL0B00A	1000 kg	CU 24V HP	•	•	•	•	12 kg	30
<b>FORT 1000</b>	24 Vdc	GFT100GCL0B00A	1000 kg	CU 24V HP	•	•	•	•	12 kg	30
<b>FORT 500</b>	230 Vac	GFT050MEH0B00A	500 kg	CU 230V HP	•	•	•	•	9,9 kg	30
<b>FORT 800</b>	230 Vac	GFT080MEH0B00A	800 kg	CU 230V HP	•	•	•	•	11,6 kg	30
<b>FORT 1000</b>	230 Vac	GFT100MEH0B00A	1000 kg	CU 230V HP	•	•	•	•	12,4 kg	30
<b>FORT 1000</b>	230 Vac	GFT100GCH0B00A	1000 kg	CU 230V HP	•	•	•	•	12,4 kg	30
<b>FORT 1000</b>	230 Vac	GFT100G0H0B00A	1000 kg	-	•	•	•	•	12,4 kg	30
<b>FORT 1500</b>	230 Vac	GFT150MH0B00A	1500 kg	CU 230V HP	•	•	•	•	12,6 kg	30
<b>FORT 1500</b>	230 Vac	GFT150GCH0B00A	1500 kg	CU 230V HP	•	•	•	•	12,6 kg	30

0100  
10101  
0010 = Encoder - ⚙️ = Mechanical endstops - U = Magnetic endstops

\* Electromechanical limit switch included, available with magnetical limit switch version



KIT System

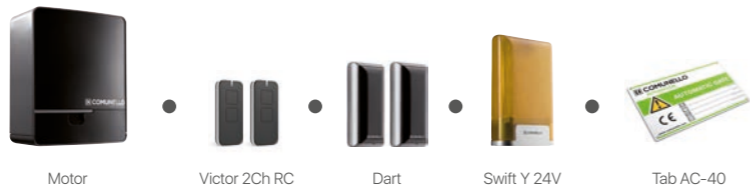
## ENTRY KIT



## LIGHT KIT



## FULL KIT



# FORT KIT System



Complete kits for sliding gates, with encoder, 24 Vdc and 230 Vac, up to 1500 kg with electromechanical limit switch

	Voltage	Product code	Weight	Quantity per pallet
<b>Fort 400</b> 24V	ENTRY	GKFT040ELB930A	9,1 kg	30
	LIGHT	GKFT040ELB920A	9,3 kg	30
	FULL	GKFT040ELB000A	9,5 kg	30
<b>Fort 600</b> 24V	ENTRY	GKFT060ELB930A	10,8 kg	30
	LIGHT	GKFT060ELB920A	10,9 kg	30
	FULL	GKFT060ELB000A	11,2 kg	30
<b>Fort 800</b> 24V	ENTRY	GKFT080ELB930A	11,8 kg	30
	LIGHT	GKFT080ELB920A	11,9 kg	30
	FULL	GKFT080ELB000A	12,2 kg	30
<b>Fort 1000</b> 24V	ENTRY	GKFT100ELB930A	12,7kg	30
	LIGHT	GKFT100ELB920A	12,8 kg	30
	FULL	GKFT100ELB000A	13 kg	30
<b>Fort 500</b> 230V	ENTRY	GKFT050EB930A	10,1 kg	30
	LIGHT	GKFT050EB920A	10,3 kg	30
	FULL	GKFT050EB000A	10,5 kg	30
<b>Fort 800</b> 230V	ENTRY	GKFT080EB930A	11,8 kg	30
	LIGHT	GKFT080EB920A	11,9 kg	30
	FULL	GKFT080EB000A	12,2 kg	30
<b>Fort 1000</b> 230V	ENTRY	GKFT100EB930A	12,7kg	30
	LIGHT	GKFT100EB920A	12,8 kg	30
	FULL	GKFT100EB000A	13 kg	30
<b>Fort 1000 DUAL KIT*</b> 230V	FULL	GKFT100DHB000A	25,5 kg	18
<b>Fort 1500</b> 230V	ENTRY	GKFT150EB930A	13,3 kg	30
	LIGHT	GKFT150EB920A	13,4 kg	30
	FULL	GKFT150EB000A	13,6 kg	30

\*Magnetical limit switch

# FORT Accessories



	<b>AC-220</b>	Fixing support for sliding actuator								
	<b>AC-200</b>	Magnetic limit switches kit								
	<b>AC-205</b>	Magnetic sensor								
	<b>AC-261</b>	1 m M4 Nylon rack with iron core and 6 fixing points								
	<b>AG-260-1M</b>	Galvanised iron rack M=4; A.B=22; L=1000								
	<b>AG-260-2M</b>	Galvanised iron rack M=4; A.B=22; L=2000								
	<b>AG-260-1M</b>	Galvanised iron rack M=6; A.B=30; L=1000								
	<b>AG-KIT 262</b>	Galvanised rack to be screwed 30x8x1M with spacers								
	<b>AG-KIT 262</b>	Galvanised rack to be screwed 30x12x1M with spacers								
	<b>AG-KIT 262</b>	Galvanised rack to be screwed 30x12x2M with spacers								



# FORT 2500

Technical features



## CONTROL BOARDS

### CU INDUSTRY 230V

QUAD 230V INVERTER FORT 2500/3500

#### MAIN FEATURES

- **Speed:** thanks to the integrated inverter it is possible to adjust the nominal and slow-down speeds while maintaining high levels of force and smooth movement.
- **Acceleration:** The control unit allows to manage and adjust the acceleration and deceleration ramps
- **Security:** The control unit is able to manage, through dedicated inputs, N.C. or 8K2 sensitive edges and photocells.
- **Diagnostics:** The control unit is able to perform real-time diagnostics using dedicated LEDs and display anomalies.
- **Commands:** The control unit manages the commands: "only opening", "only closing", "step-by-step" and "Pedestrian".
- **Sensitivity:** The control unit allows to adjust the sensitivity for obstacle detection.

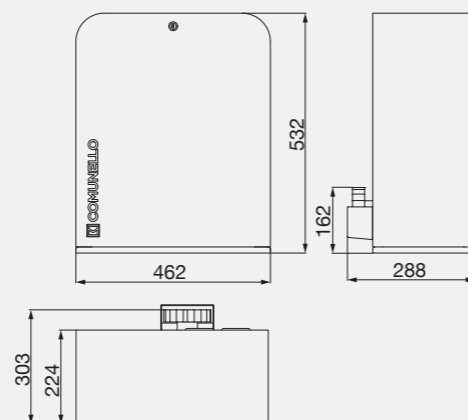
### CU INDUSTRY 380V

QUAD 380V FORT 2500/3500

#### MAIN FEATURES

- **Sensitivity:** The control unit allows to adjust the sensitivity for obstacle detection.
- **Commands:** The control unit manages the commands: "only opening", "only closing", "step-by-step" and "Pedestrian".
- **Diagnostics:** The control unit is able to perform real-time diagnostics using dedicated LEDs.
- **Security:** The control unit is able to manage, through dedicated inputs, NC/8K2 sensitive edges and photocells.
- **Simple:** The main functions can be easily activated using 10 dip-switches.

#### DIMENSIONS (mm)



Fast, Safe, Reliable, Simple  
Obstacle sensitive, Speed  
reduction management

On-board control unit, also available with inverter

Integrated receiver: up to 500 codes (rolling code or fixed code) can be memorized

Gasket along the entire front opening for greater protection



Gearmotor with integrated ventilation, available in 230V 3 ~ and 380 VAC versions

The gearmotor fully lubricated in an oil bath ensures high performance even at extreme temperatures (-20 °C / + 50 °C)

Heat-dissipation vents

Robust steel frame with protective treatment



Reliable electromechanical limit switch with IP67 protection degree

Strong shaft with pinion module M4



Every single product is duly tested at the end of each assembly line

\* Actuator dedicated to the Ranger telescopic sliding system



#### Technical features

	FORT 2500 380V STD FE	FORT 2500 230V INV FE	FORT 2500-S 230V INV FE *
Power supply	380V 50 Hz	230V 50 Hz	230V 50 Hz
Operating power supply	380V	230V 3 ~	230V 3 ~
Power consumption	0,37 KW	0,37 KW	0,37 KW
Max. absorption	1,11 A	1,92 A	1,92 A
Max. thrust	2000 N	2000 N	2000 N
Duty cycle	Intensive use	Intensive use	Intensive use
Protection degree (IP)	IP44	IP44	IP44
Insulation class	1 (earthing)	1 (earthing)	1 (earthing)
Working temperature	-20° /+50°	-20° /+50°	-20° /+50°
Max. gate weight	2500 Kg	2500 Kg	2500 Kg
Rack module	M4	M4	M4
Speed	0,17 m/s	Up to 0,38 m/s	Up to 0,19 m/s
Gear ratio	1:50	1:50	1:100
Weight	35 Kg	37 Kg	37 Kg
Control board	CU INDUSTRY 380V	CU INDUSTRY 230V	CU INDUSTRY 230V



# FORT 3500

Technical features



## CONTROL BOARDS

### CU INDUSTRY 230V

QUAD 230V INVERTER FORT 2500/3500

#### MAIN FEATURES

- **Speed:** thanks to the integrated inverter it is possible to adjust the nominal and slow-down speeds while maintaining high levels of force and smooth movement.
- **Acceleration:** The control unit allows to manage and adjust the acceleration and deceleration ramps
- **Security:** The control unit is able to manage, through dedicated inputs, N.C. or 8K2 sensitive edges and photocells.
- **Diagnostics:** The control unit is able to perform real-time diagnostics using dedicated LEDs and display anomalies.
- **Commands:** The control unit manages the commands: "only opening", "only closing", "step-by-step" and "Pedestrian".
- **Sensitivity:** The control unit allows to adjust the sensitivity for obstacle detection.

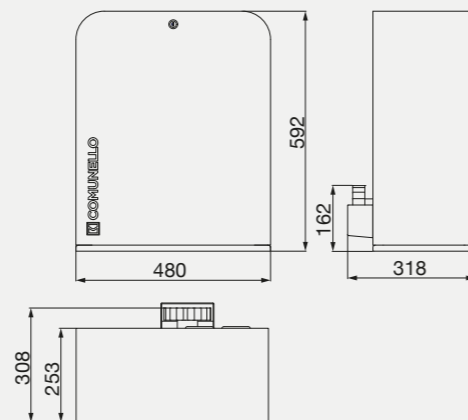
### CU INDUSTRY 380V

QUAD 380V FORT 2500/3500

#### MAIN FEATURES

- **Sensitivity:** The control unit allows to adjust the sensitivity for obstacle detection.
- **Commands:** The control unit manages the commands: "only opening", "only closing", "step-by-step" and "Pedestrian".
- **Diagnostics:** The control unit is able to perform real-time diagnostics using dedicated LEDs.
- **Security:** The control unit is able to manage, through dedicated inputs, NC/8K2 sensitive edges and photocells.
- **Simple:** The main functions can be easily activated using 10 dip-switches.

#### DIMENSIONS (mm)



Fast, Safe, Reliable, Simple  
Obstacle sensitive, Speed  
reduction management

On-board control unit, also available with inverter

Integrated receiver: up to 500 codes (rolling code or fixed code) can be memorized

Gasket along the entire front opening for greater protection



Gearmotor with integrated ventilation, available in 230 VAC and 380 VAC versions

The gearmotor fully lubricated in an oil bath ensures high performance even at extreme temperatures (-20 °C / + 50 °C)

Heat-dissipation vents

Robust steel frame with protective treatment



Reliable electromechanical limit switch with IP67 protection degree

Strong shaft with pinion module M6 (M4 for Fort 3500-S)



Every single product is duly tested at the end of each assembly line

\* Actuator dedicated to the Ranger telescopic sliding system



#### Technical features

	FORT 3500 380V STD FE	FORT 3500 230V INV FE	FORT 3500-S 230V INV FE *
Power supply	380V 50 Hz	230V 50 Hz	230V 50 Hz
Operating power supply	380V	230V 3 ~	230V 3 ~
Power consumption	0,75 KW	0,75 KW	0,75 KW
Max. absorption	1,9 A	3,29 A	3,29 A
Max. thrust	3000 N	3000 N	3000 N
Duty cycle	Intensive use	Intensive use	Intensive use
Protection degree (IP)	IP44	IP44	IP44
Insulation class	1 (earthing)	1 (earthing)	1 (earthing)
Working temperature	-20° /+50°	-20° /+50°	-20° /+50°
Max. gate weight	3500 Kg	3500 Kg	3500 Kg
Rack module	M6	M6	M4
Speed	0,17 m/s	Up to 0,38 m/s	Up to 0,19 m/s
Gear ratio	1:50	1:50	1:100
Weight	46 Kg	48 Kg	48 Kg
Control board	CU INDUSTRY 380V	CU INDUSTRY 230V	CU INDUSTRY 230V

# FORT 2500

Automation for sliding gates  
230 Vac and 380 Vac

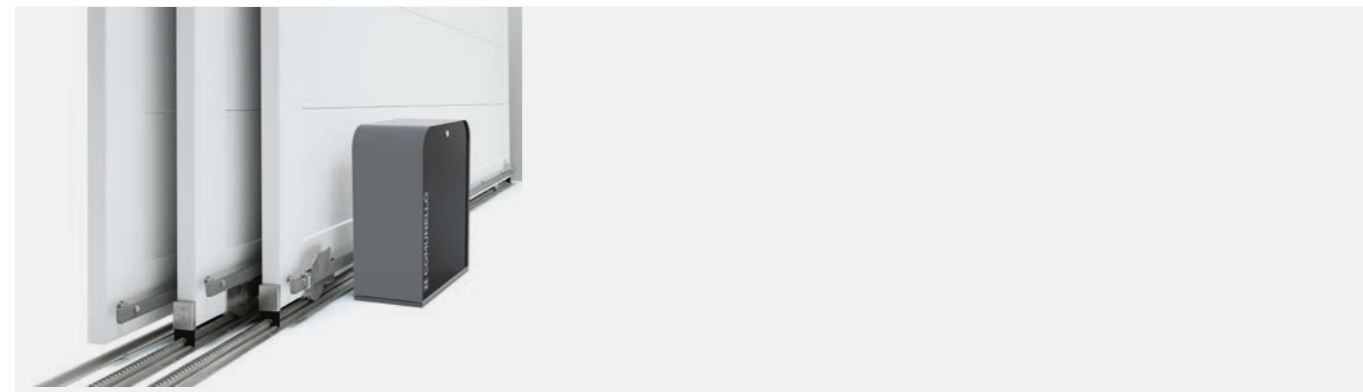


230 Vac and 380 Vac three-phase motors with built-in electronics for sliding gates up to 2500 kg

			Max. leaf weight	Inverter	(P)	Gear ratio	Kg	
<b>FORT 2500*</b>	230 Vac	GFT250MXF0B00	2500 kg	•	•	01:50	38 kg	5
<b>FORT 2500 *</b>	400 Vac	GFT250MXG0B00	2500 kg		•	01:50	39 kg	5



\* Electromechanical limit switch included, available with magnetical limit switch version



			Max. leaf weight	Inverter	(P)	Gear ratio	Kg	
<b>FORT 2500 *</b>	230 Vac	GFT250MXF1B00	2500 kg	•	•	01:100 **	39 kg	5

Electromechanical limit switch included, available with magnetical limit switch version

\*\* Compatible with Comunello RANGER system

## Accessories

	<b>AC-210</b>	Pignon module 6	GFT001CRN0G00	1	0,4 kg
	<b>AC-250</b>	No.6 M10 anchors fixing kit	GROD4M10N0G00	1	0,98 kg

# FORT 3500

Automation for sliding gates  
230 Vac and 380 Vac

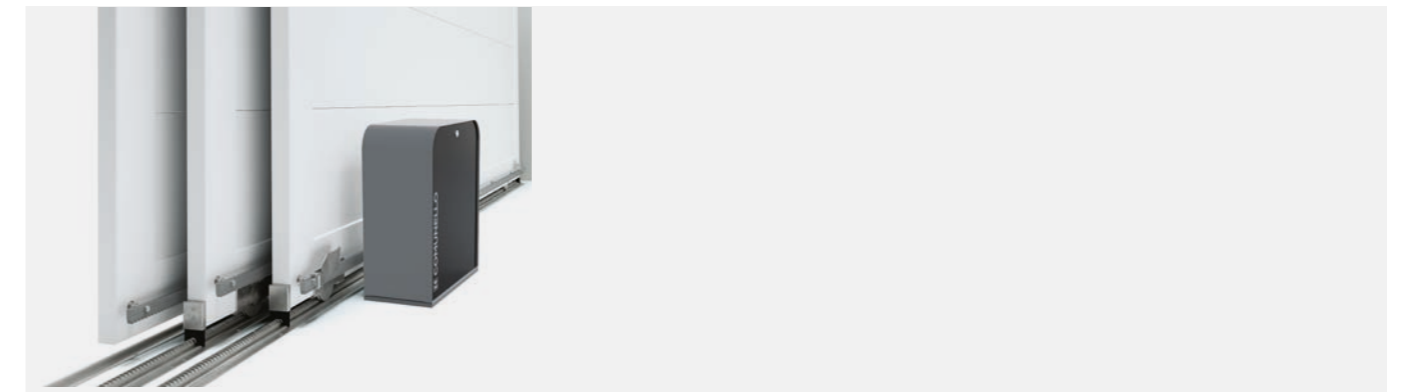


230 Vac and 380 Vac three-phase motors with built-in electronics for sliding gates up to 3500 kg

			Max. leaf weight	Inverter	(P)	Gear ratio	Kg	
<b>FORT 3500 *</b>	230 Vac	GFT350MXF0B00	3500 kg	•	•	01:50	53,5 kg	5
<b>FORT 3500 *</b>	400 Vac	GFT350MXG0B00	3500 kg		•	01:50	54 kg	5



\* Electromechanical limit switch included, available with magnetical limit switch version



			Max. leaf weight	Inverter	(P)	Gear ratio	Kg	
<b>FORT 3500 *</b>	230 Vac	GFT350MXF1B00	3500 kg	•	•	01:100 **	54 kg	5

Electromechanical limit switch included, available with magnetical limit switch version

\*\* Compatible with Comunello RANGER system

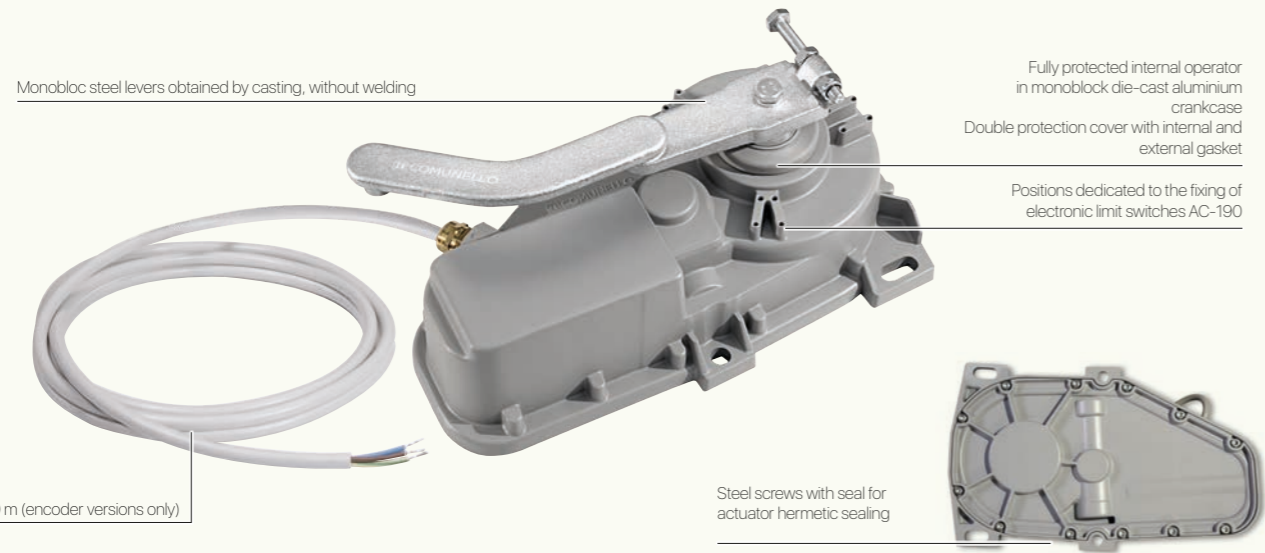
## Accessories

	<b>AC-210</b>	Pignon module 6	GFT001CRN0G00	1	0,4 kg
	<b>AC-250</b>	No.6 M10 anchors fixing kit	GROD4M10N0G00	1	0,98 kg

# EAGLE

## Technical features

Available with Encoder versions



AISI 316L stainless steel lid



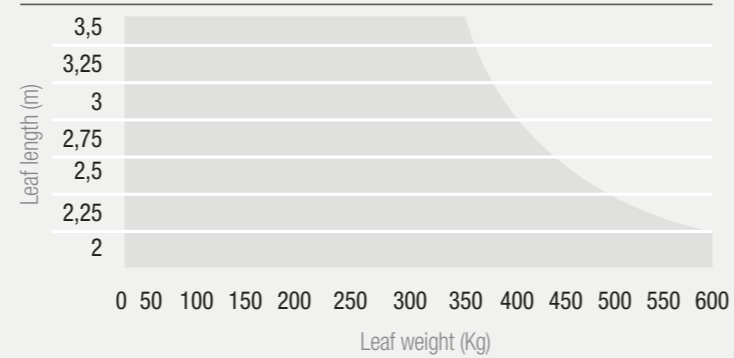
Heat galvanised foundation box for greater corrosion resistance

Minimum guaranteed thickness of 60 micron as required by the UNI EN ISO 1461 relevant legislation

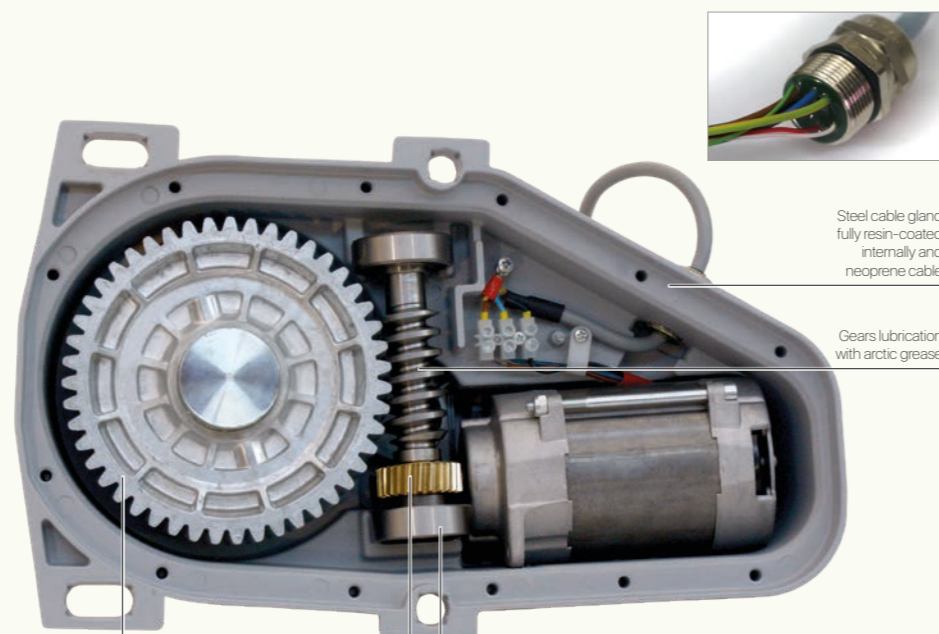
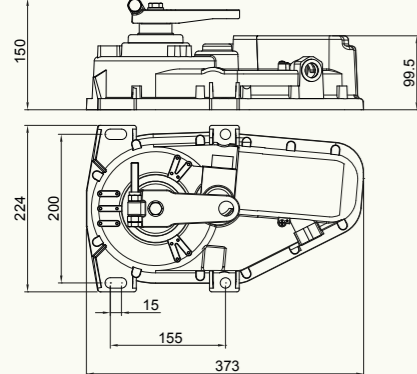
### Technical features

	24V	230V
Operating power supply	24 VDC	230 VAC
Power consumption	150 W	280 W
Max. absorption	6,5 A	1,2 A
Torque	220 Nm	300 Nm
Duty cycle	Intensive use	50%
Protection degree (IP)	IP67	IP67
Insulation class	2	1 (earthing)
Working temperature	-20°C / +50°C	-20°C / +50°C
Speed	0,1 Rad/s	0,08 Rad/s
Weight	11,3 Kg	11,6 Kg

### OPERATING LIMITS



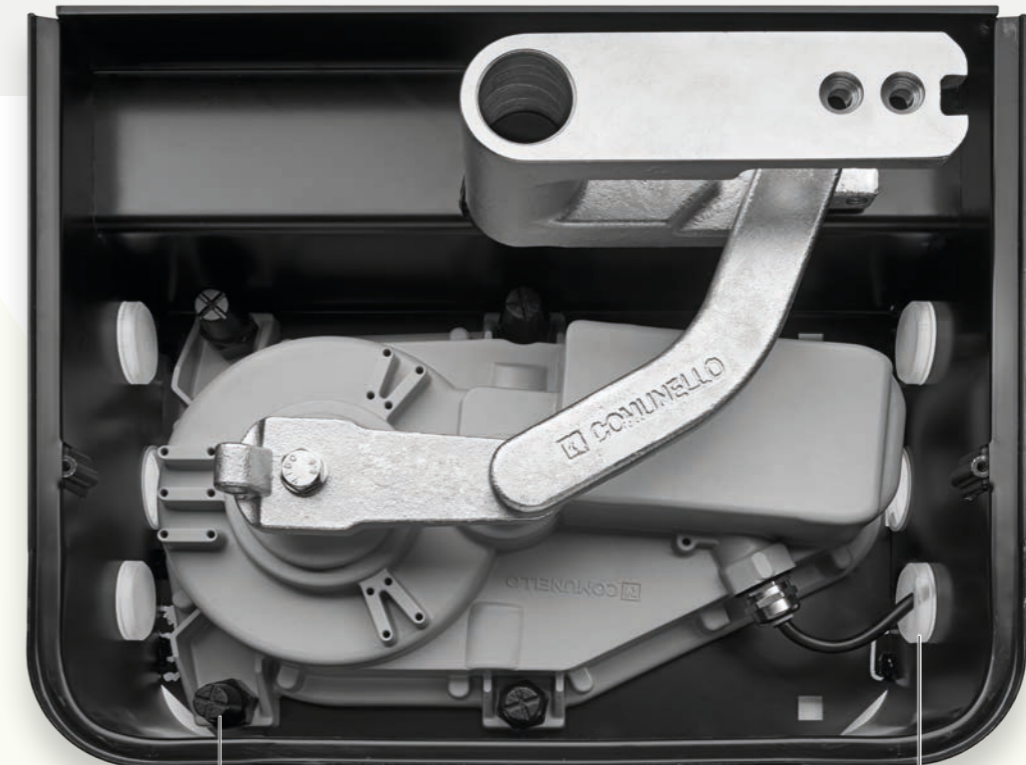
### DIMENSIONS (mm)



Die-cast high elastic strength zamak cogwheel

Reduction shaft with bearings and gears in steel and bronze

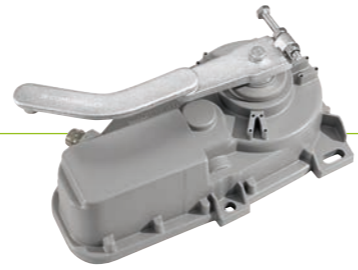
Special bearings suitable for low temperatures (-40 °C / +40 °C)



Every single product is duly tested at the end of each assembly line

# EAGLE **ONE** **BUS**

Automation for swinging gates  
24 Vdc - ONE TECHNOLOGY



24 Vdc underground actuator, with built-in encoder, for leaves up to 3.5 m

<b>Eagle 350 - ONE</b>	24 Vdc	G1E0350EL1G00	15 kg	60

Accessories included:



# EAGLE **ONE** **BUS** KIT System

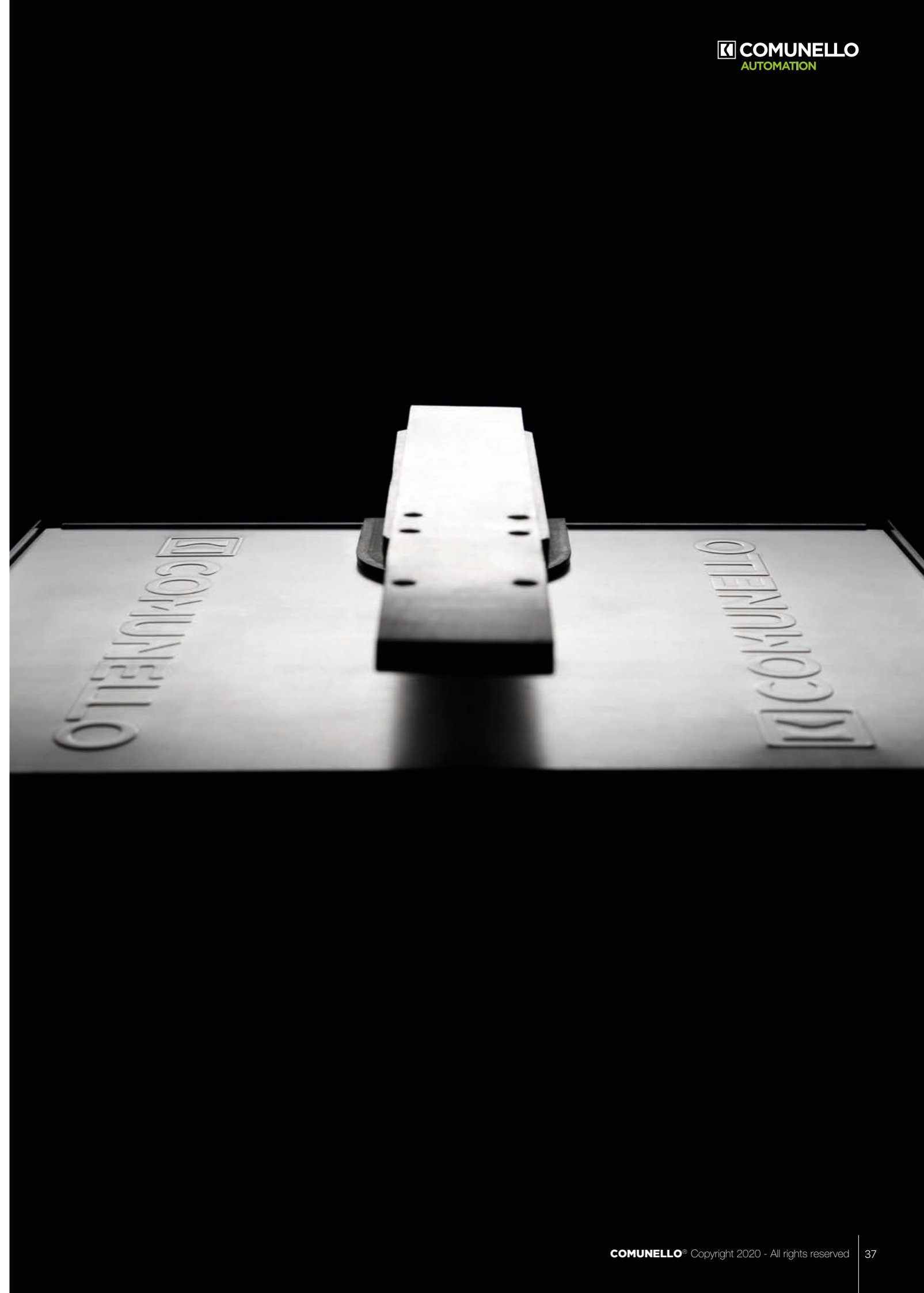
Automation for swinging gates  
24 Vdc - ONE TECHNOLOGY



Complete kit with underground actuators for swinging gates, 24 Vdc actuators up to 3.5 m leaf

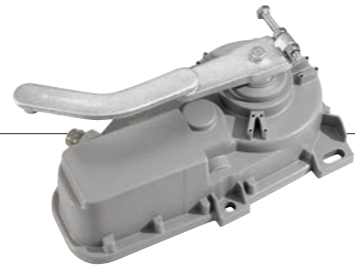
<b>Eagle 24V ONE</b>		GK1E035ELG910	54,1 kg	12

## EAGLE KIT system



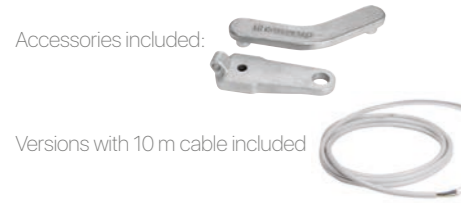
# EAGLE

Automation for swinging gates  
24 Vdc and 230 Vac



24 Vdc and 230 Vac underground actuators for swinging gates up to 3,5 m length

	Voltage	Product code	Control unit	Radio receiver	Weight	Quantity
<b>Eagle 350</b>	24 Vdc	GEE03500L1G00	•	•	14,5 kg	60
<b>Eagle 350</b>	24 Vdc	GEE0350EL1G00	•	•	15 kg	60
<b>Eagle 350</b>	230 Vac	GEE03500H1G00	•	•	15 kg	60
<b>Eagle 350</b>	230 Vac	GEE0350EH1G00	•	•	15 kg	60



KIT System

## ENTRY KIT



## LIGHT KIT



## FULL KIT



# EAGLE KIT System



**24V** Complete kits with underground actuators for swinging gates, 24 Vdc, up to 3.5 m leaf

	Voltage	Product code	Control unit	Radio receiver	Weight	Quantity
<b>ENTRY</b>	24 Vdc	GKEE035EL0930	QUAD 24V-HP	•	28 kg	12
<b>LIGHT</b>	24 Vdc	GKEE035EL0920	QUAD 24V-HP	•	28 kg	12
<b>FULL</b>	24 Vdc	GKEE035EL0900	QUAD 24V-HP	•	28 kg	12

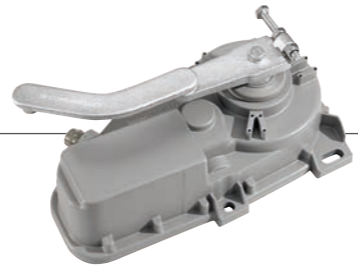
Versions with 10 m cable included

**230V** Complete kits with underground actuators for swinging gates, 230 Vac, up to 3.5 m leaf

	Voltage	Product code	Control unit	Radio receiver	Weight	Quantity
<b>ENTRY</b>	230 Vac	GKEE035EH0930	QUAD 230V-HP	•	29,6 kg	12
<b>LIGHT</b>	230 Vac	GKEE035EH0920	QUAD 230V-HP	•	29,6 kg	12
<b>FULL</b>	230 Vac	GKEE035EH0900	QUAD 230V-HP	•	29,6 kg	12

Versions with 10 m cable included

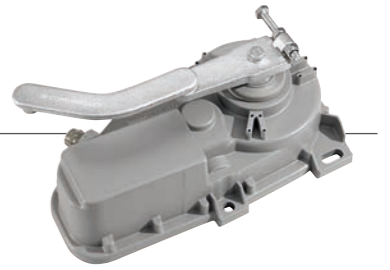
# EAGLE BOX



--	--	--	--	--	--

	<b>EAGLE BOX</b>	Black cataphoresis foundation box with galvanised lid	GEE000BXN0B00	1	10,8 kg
	<b>EAGLE BOX-HG with 316L</b>	Hot dipped galvanised foundation box with 316L stainless steel lid	GEE000BXN0G00	1	10,8 kg
	<b>EAGLE BOX-INOX</b>	Stainless steel foundation box	GEE000BXNIS00	1	11,5 kg

# EAGLE Accessories

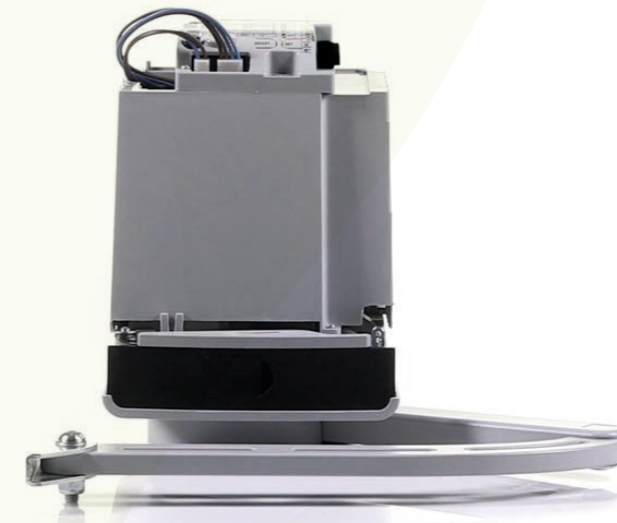


--	--	--	--	--	--

	<b>AC-150</b>	Unlocking system with key	GEE001SBN0G00	1	0,55 kg
	<b>AC-160</b>	Unlocking system with lever and key	GEE002SBN0G00	1	0,90 kg
	<b>AC-170</b>	Unlocking system with lever	GEE003SBN0G00	1	0,86 kg
	<b>AC-185</b>	180° opening set	GEE360ASN0G01	1	3,8 kg
	<b>AC-190</b>	External limit switches set	GEE001FIN0B00	1	0,2 kg

# CONDOR 220/350

Technical features



**CONDOR 220**

up to 2,2 m

24V

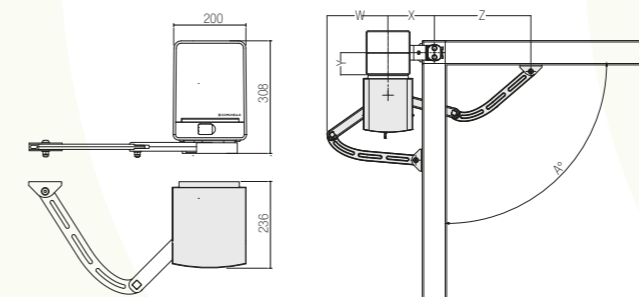
230V

**CONDOR 350**

up to 2,2 m

24V

## DIMENSIONS (mm)

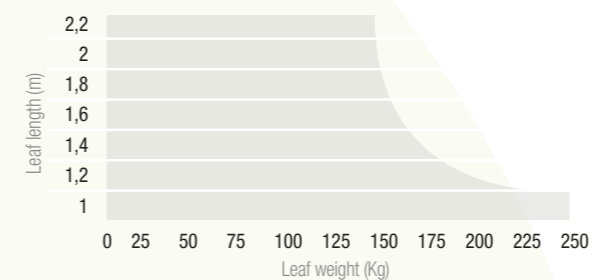


A°	X	Y	Z	W
90°	205	0	415	209
90°	190	50	415	135
90°	185	100	395	159,5
90°	170	150	372	278
110°	250	0	365	287

## TECHNICAL FEATURES

	CONDOR 220 24V	CONDOR 350 24V
Power supply	230 ~ 50 Hz	
Operator power supply	24V $\equiv$ ONE 24V $\equiv$	230V ~ 24V $\equiv$ ONE 24V $\equiv$
Power consumption	110 W	280 W
Current input	5 A	1,2 A
Torque	150 Nm	250 Nm
Duty cycle	Intensive use	30%
Protection rating	IP 24 D	
Insulation class	1 earth	1 earth
Working temperature	da -20°C a +50°C	
Speed	0,10 rad/s	
Weight	10 Kg	10 Kg

## OPERATING LIMITS CONDOR 220



## OPERATING LIMITS CONDOR 350



Every single product is duly tested at the end of each assembly line

# CONDOR 500

Technical features

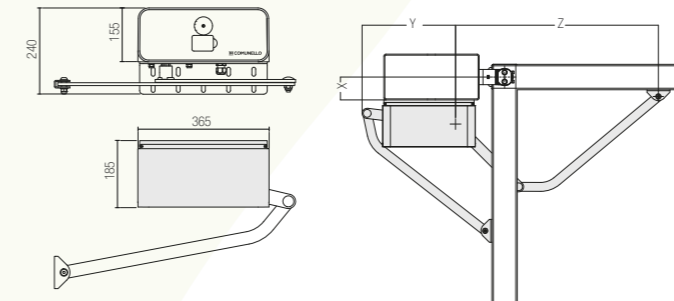


Every single product is duly tested at the end of each assembly line



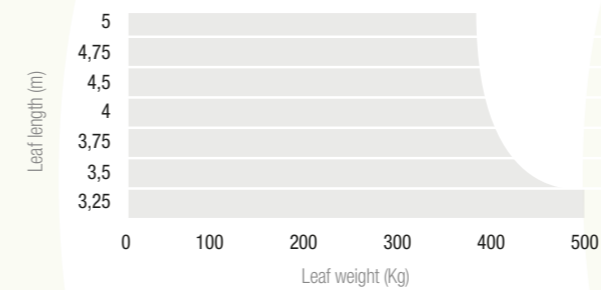
Integrated electromechanical limit switches

## DIMENSIONS (mm)



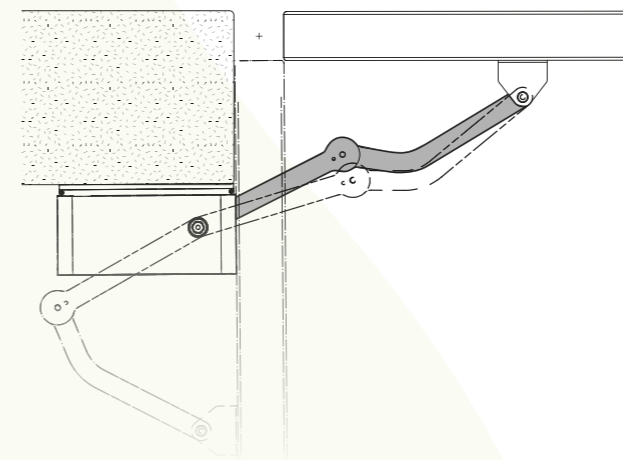
X	Z	Y
50	554	535
100	555	635
150	555	535
200	555	690

## OPERATING LIMITS CONDOR 500



## AC-102-103-104

Ambidextrous arms in painted steel with locking system



## Technical features

	CONDOR 500 24V	CONDOR 500 230V
Voltage	24 VDC	230 VAC 50 Hz
Power consumption	150 W	280 W
Max. absorption	6,5 A	1,2 A
Max. thrust	330 Nm	440 Nm
Duty cycle	Intensive use	50%
Protection degree (IP)	IP44	IP44
Insulation class	2	1 (earthing)
Working temperature	-20°C / +50°C	-20°C / +50°C
No-load speed	0,15 rad/sec	0,1 rad/sec
Weight	12 kg	12 kg



**CONDOR 500** 24V 230V  
up to 5 m



L = 385mm + 330mm



L = 503mm + 430mm



L = 238mm + 620mm

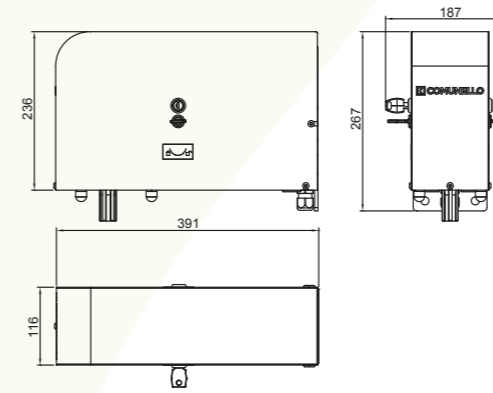


# CONDOR 500 S

Technical features



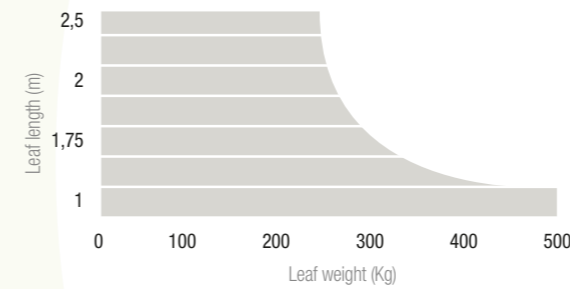
## DIMENSIONS (mm)



## Technical features

	CONDOR 500 S 24V	CONDOR 500 S 230V
Voltage	24 VDC	230 VAC 50 Hz
Power consumption	150 W	280 W
Max. absorption	6,5 A	1,2 A
Max. thrust	330 Nm	440 Nm
Duty cycle	Intensive use	40%
Protection degree (IP)	IP44	IP44
Insulation class	1(earthing)	1(earthing)
Working temperature	-20°C / +50°C	-20°C / +50°C
No-load speed	0,15 rad/sec	0,1 rad/sec
Weight	12 kg	15,7 kg

## OPERATING LIMITS CONDOR 500 S

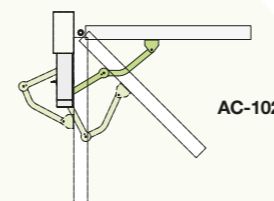


**CONDOR 500 S**  
up to 2,5 m

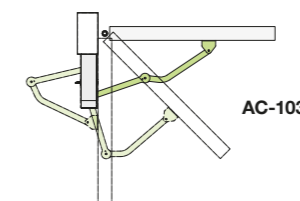
24V 230V

## AC-102-103-104

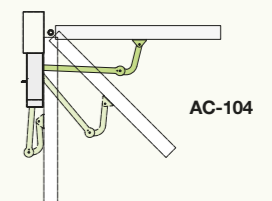
Ambidextrous arms in painted steel with locking system



L = 385mm + 330mm



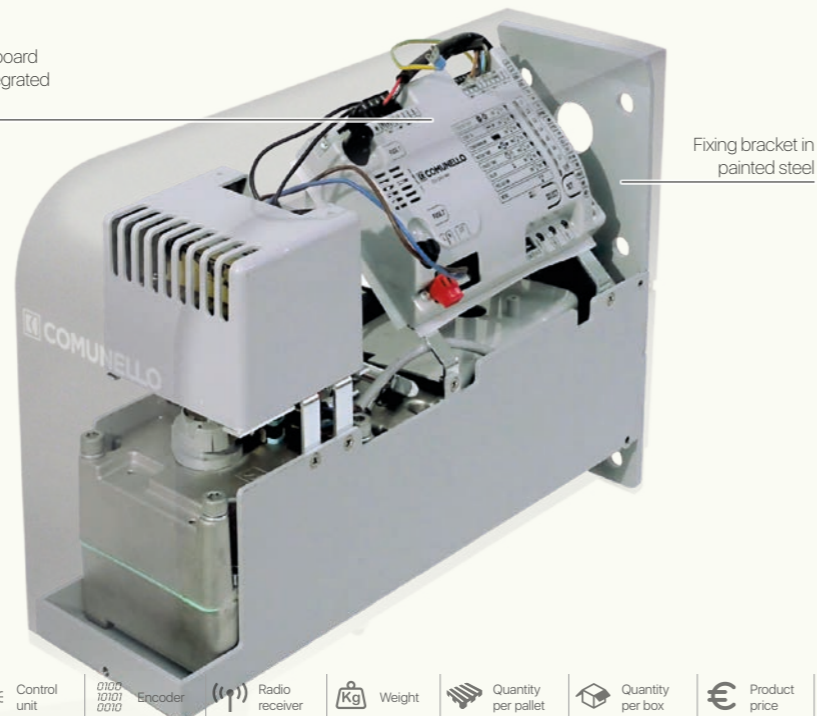
L = 503mm + 430mm



L = 238mm + 620mm

Easily accessible onboard control unit with integrated receiver

Fixing bracket in painted steel



Every single product is duly tested at the end of each assembly line

# CONDOR **ONE** **BUS**

Automation for swinging gates  
24 Vdc - ONE TECHNOLOGY



24 Vdc articulated arm actuators, with built-in encoder and mechanical stops, for leaves up to 5 m length\*

				Max. leaf length*		
	<b>CONDOR 220 - ONE</b>	24 Vdc	G1C220MEL0B00	2,2 m	10,0 kg	40
	<b>CONDOR 220-S/C - ONE</b>	24 Vdc	G1C220M1L0B00	2,2 m	10,0 kg	40
	<b>CONDOR 350 - ONE</b>	24 Vdc	G1C350MEL0B00	3,5 m	12,0 kg	40
	<b>CONDOR 350-S/C - ONE</b>	24 Vdc	G1C350M1L0B00	3,5 m	12,0 kg	40
	<b>CONDOR 500 - ONE</b>	24 Vdc	G1C500M1L0B00	5,0 m	12 kg	30

S/C = without control unit

Accessories included:



CONDOR 220/350



CONDOR 500



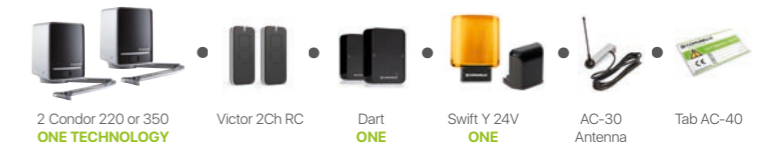
# CONDOR **ONE** **BUS** KIT System



Complete kits with articulated arm actuators for swinging gates, 24 Vdc, with BUS accessories up to 5 m length

		KIT System			
	<b>Condor 220 ONE TECHNOLOGY</b>		GK1C220MLB000	19,6 kg	16
	<b>Condor 350 ONE TECHNOLOGY</b>		GK1C350MLB000	19,6 kg	16
	<b>Condor 500 ONE TECHNOLOGY</b>		GK1C500MLB000	19,6 kg	16

## Condor 220/350 ONE TECHNOLOGY KIT



## Condor 500 ONE TECHNOLOGY KIT



KIT System

# CONDOR

Automation for swinging gates  
24 Vdc and 230 Vac - electronic limit switch plus encoder



24 Vdc and 230 Vac articulated arm actuators for swing gates up to 5 m length\*

	<b>CONDOR 220</b>	24 Vdc	GCR220EEL0B00	2,2 m	•	•	•	10 kg	45
	<b>CONDOR 220-S/C</b>	24 Vdc	GCR220E1L0B00	2,2 m	•	•		10 kg	45
	<b>CONDOR 220</b>	230 Vac	GCR220EEH0B00	2,2 m	•	•	•	10 kg	45
	<b>CONDOR 220-S/C</b>	230 Vac	GCR220E1H0B00	2,2 m	•	•		10 kg	45
	<b>CONDOR 350</b>	24 Vdc	GCR350EEL0B00	3,5 m	•	•	•	12 kg	45
	<b>CONDOR 350-S/C</b>	24 Vdc	GCR350E1L0B00	3,5 m	•	•		12 kg	45
	<b>CONDOR 500-S/C</b>	24 Vdc	GCR500E1L0B00	5,0 m	•	•		12 kg	50
	<b>CONDOR 500-S/C</b>	230 Vac	GCR500E1H0B00	5,0 m	•	•		11,3 kg	50
	<b>CONDOR 500S</b>	24 Vdc	GCR50SEEL0G00	2,5 m	•	•	•	10 kg	36
	<b>CONDOR 500S-S/C</b>	24 Vdc	GCR50SE1L0G00	2,5 m	•	•		10 kg	36
	<b>CONDOR 500S</b>	230 Vac	GCR50SEEH0G00	2,5 m	•	•	•	10 kg	36
	<b>CONDOR 500S-S/C</b>	230 Vac	GCR50SE1H0G00	2,5 m	•	•		10 kg	36

S/C = without control unit

Accessories included:



CONDOR 220/350

CONDOR 500



KIT System

## ENTRY KIT



## LIGHT KIT



## FULL KIT



# CONDOR KIT System



**24V** Complete kits with articulated arm actuators for swinging gates, 24 Vdc, up to 5 m length

	KIT System						
	<b>ENTRY</b>		GKCR220LLB930	•	•	CU 24V HP	19,2 kg 16
	<b>LIGHT</b>		GKCR220LLB920	•	•	CU 24V HP	19,4 kg 16
	<b>FULL</b>		GKCR220LLB903	•	•	CU 24V HP	19,6 kg 16
	<b>ENTRY</b>		GKCR350LLB930	•	•	CU 24V HP	19,2 kg 16
	<b>LIGHT</b>		GKCR350LLB920	•	•	CU 24V HP	19,4 kg 16
	<b>FULL</b>		GKCR350ELB903	•	•	CU 24V HP	19,6 kg 16
	<b>ENTRY</b>		GKCR500LLB930	•	•	QUAD 24V HP	26,0 kg 8
	<b>LIGHT</b>		GKCR500LLB920	•	•	QUAD 24V HP	26,2 kg 8
	<b>FULL</b>		GKCR500LLB903	•	•	QUAD 24V HP	26,4 kg 8
	<b>ENTRY</b>		GKCR050SEL930	•	•	CU 24V HP	18,1 kg 10
	<b>LIGHT</b>		GKCR050SEL920	•	•	CU 24V HP	18,3 kg 10
	<b>FULL</b>		GKCR050SEL900	•	•	CU 24V HP	18,5kg 10

⚙️ = Mechanical endstops - ⚙️ = Electronical endstops - 0100 10101 0010 = Encoder

\*Condor 500 Accessories included 2 ambidextrous articulated arm AC-100:



# CONDOR KIT System



**230V** Complete kits with articulated arm actuators for swinging gates, 230 Vac, up to 5 m length

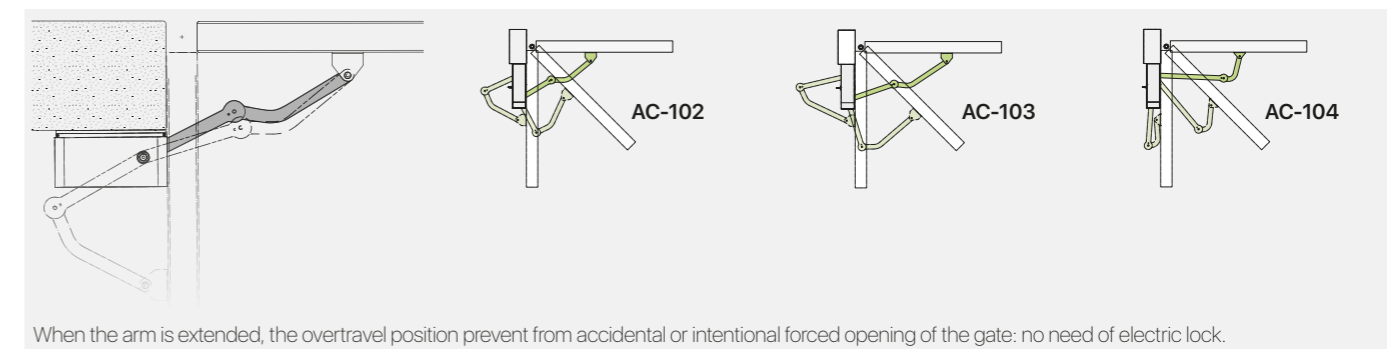
	KIT System						
<b>Condor 220</b>	<b>ENTRY</b>	GKCR220LHB930	•	•	CU 230V HP	19,2 kg	16
	<b>LIGHT</b>	GKCR220LHB900	•	•	CU 230V HP	19,4 kg	16
	<b>FULL</b>	GKCR220LHB903	•	•	CU 230V HP	19,6 kg	16
<b>Condor 500</b>	<b>ENTRY</b>	GKCR500LHB930	•	•	QUAD 230V HP	25,8 kg	8
	<b>LIGHT</b>	GKCR500LHB920	•	•	QUAD 230V HP	26 kg	8
	<b>FULL</b>	GKCR500EHB903	•	•	QUAD 230V HP	26,2 kg	8
<b>Condor 500S</b>	<b>ENTRY</b>	GKCR050SEH930	•	•	CU 230V HP	23 kg	10
	<b>LIGHT</b>	GKCR050SEH920	•	•	CU 230V HP	23 kg	10
	<b>FULL</b>	GKCR050SEH900	•	•	CU 230V HP	23 kg	10

= Mechanical endstops - = Electronical endstops - = Encoder

# CONDOR Accessories



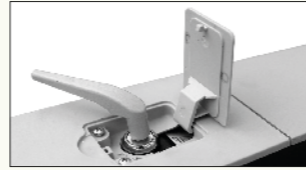
		<b>AC-101</b>	Articulated arm for Condor 220/350, L=408 mm + 350mm	GCR004BAN0G00	1	2,9 kg
		<b>AC-108</b>	Slide arm for Condor 220/350, L=652,5 mm	GCR008BAN0B00	1	5,1 kg
		<b>AC-110</b>	Key operated emergency release	GCR001SCN0G00	1	1,2 kg
		<b>AC-100</b>	Ambidextrous articulated arm for Condor 500, L=408 mm + 350mm	GCR001BAN0G00	1	2,9 kg
		<b>AC-102</b>	Locking arm for Condor 500/500S, L=385 mm + 330mm	GCR001BAN0B00	1	3,2 kg
		<b>AC-103</b>	Locking arm for Condor 500/500S - L=503 mm + 430mm	GCR002BAN0B00	1	3,7 kg
		<b>AC-104</b>	Locking arm for Condor 500/500S - L=238 mm + 620mm	GCR003BAN0B00	1	4,1 kg
		<b>AC-110</b>	Key operated emergency release	GCR001SCN0G00	1	1,2 kg



# ABACUS

Technical features

Emergency manual release system with aluminium handle



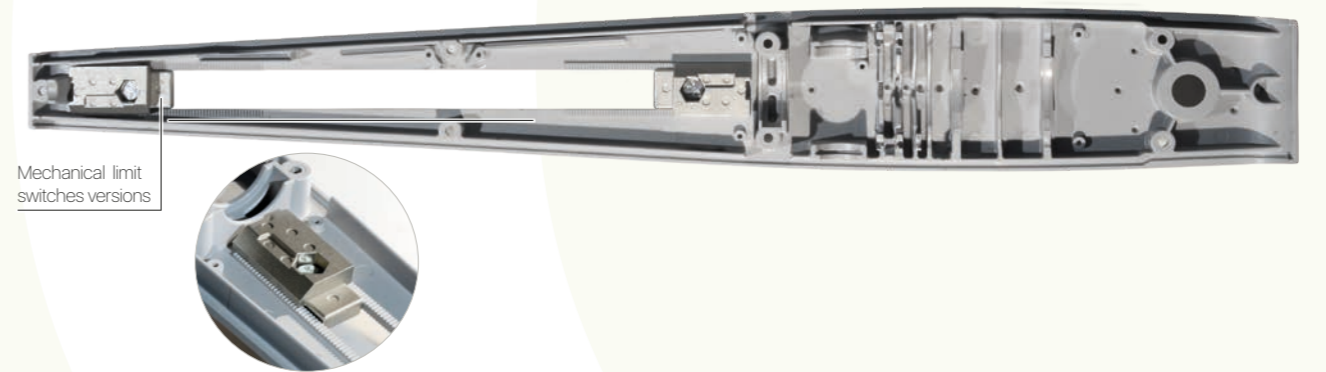
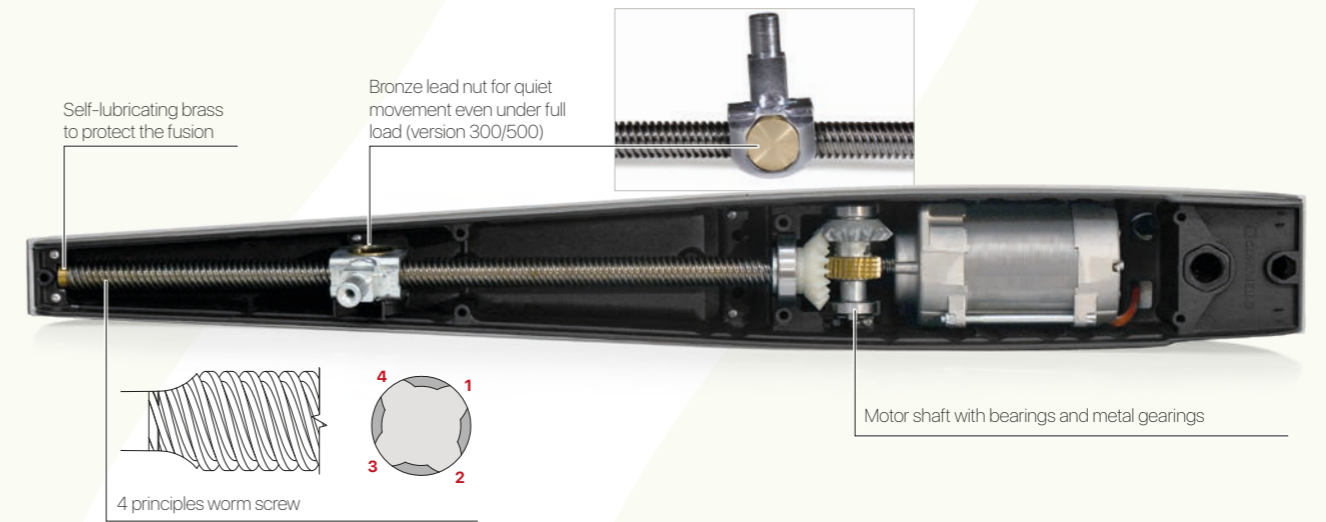
Actuators profile made of aluminium

Actuators profile made of aluminium

One-piece die cast aluminium housing



Every single product is duly tested at the end of each assembly line





# ABACUS ONE BUS

Automation for swings gates  
24 Vdc - ONE TECHNOLOGY



24 Vdc worm screw actuators, with built-in encoder and mechanical stops, for leaves up to 5 m\*

			Max. leaf weight*		
<b>Abacus 220 - ONE TECHNOLOGY</b>	24 Vdc	G1A220MELOB00	2,2 m	8 kg	56
<b>Abacus 300 - ONE TECHNOLOGY</b>	24 Vdc	G1A300MELOB00	3,0 m	10,1 kg	56
<b>Abacus 500 - ONE TECHNOLOGY</b>	24 Vdc	G1A500MELOB00	5,0 m	10,7 kg	42

Accessories included:



# ABACUS ONE BUS KIT System



Complete 24 Vdc kits with worm screw actuators for swinging gate to up 5 m leaf with BUS accessories

	KIT System				
<b>Abacus 220 ONE TECHNOLOGY</b>		GK1A220MLB000	QUAD ONE 2M	22 kg	16
<b>Abacus 300 ONE TECHNOLOGY</b>		GK1A300MLB000	QUAD ONE 2M	26,2 kg	16
<b>Abacus 500 ONE TECHNOLOGY</b>		GK1A500MLB000	QUAD ONE 2M	26,2 kg	9

## ABACUS 220



## ABACUS 300



## ABACUS 500



KIT System

# ABACUS

Automation for swinging gates  
24 Vdc and 230 Vac



24 Vdc and 230 Vac worm screw actuators for swinging gates up to 5 m length\*

			Max. leaf length*					
<b>ABACUS 220</b>	24 Vdc	GAS220MELOB00	2,2 m	•	•	•	8 kg	56
<b>ABACUS 220</b>	24 Vdc	GAS220EEL0B00	2,2 m		•	•	8 kg	56
<b>ABACUS 220</b>	230 Vac	GAS220MEH0B00	2,2 m	•		•	8,6 kg	56
<b>ABACUS 300</b>	24 Vdc	GAS300MELOB00	3,0 m	•		•	10,1 kg	56
<b>ABACUS 300</b>	24 Vdc	GAS300EEL0B00	3,0 m		•	•	10,1 kg	56
<b>ABACUS 300</b>	230 Vac	GAS300MEH0B00	3,0 m	•		•	10,7 kg	56
<b>ABACUS 500</b>	24 Vdc	GAS500MELOB00	5,0 m	•		•	10,7 kg	42
<b>ABACUS 500</b>	24 Vdc	GAS500EEL0B00	5,0 m		•	•	10,7 kg	42
<b>ABACUS 500</b>	230 Vac	GAS500MEH0B00	5,0 m	•		•	11,2 kg	42

Accessories included:



KIT System

## ENTRY KIT



## LIGHT KIT



## FULL KIT



# ABACUS KIT System



24V Complete kits with worm screw actuators for swinging gates, 24 Vdc, encoder, up to 5 m length

	KIT System						
	<b>ENTRY</b>		GKAS220MLB930	•	•	QUAD 24 HP	19,7 kg 16
<b>Abacus 220</b>	<b>LIGHT</b>		GKAS220MLB920	•	•	QUAD 24 HP	19,8 kg 16
	<b>FULL</b>		GKAS220MLB908	•	•	QUAD 24 HP	22 kg 16
	<b>ENTRY</b>		GKAS300MLB930	•	•	QUAD 24 HP	25,9 kg 16
<b>Abacus 300</b>	<b>LIGHT</b>		GKAS300MLB920	•	•	QUAD 24 HP	26 kg 16
	<b>FULL</b>		GKAS300MLB908	•	•	QUAD 24 HP	26,2 kg 16
	<b>ENTRY</b>		GKAS500MLB930	•	•	QUAD 24 HP	25,9 kg 9
<b>Abacus 500</b>	<b>LIGHT</b>		GKAS500MLB920	•	•	QUAD 24 HP	26 kg 9
	<b>FULL</b>		GKAS500MLB900	•	•	QUAD 24 HP	26,2 kg 9

⚙️ = Mechanical endstops - 0100 10101 0010 = Encoder

🔌 = Available version with electronic endstops



# ABACUS KIT System



**230V** Complete kits with worm screw actuators for swinging gates, 230 Vac, encoder, up to 5 m length

	KIT System	0101	0100 10101 0010		Kg	
	<b>ENTRY</b>		GKAS220MEH930	• •	QUAD 230 HP	19,9 kg 16
Abacus 220	<b>LIGHT</b>		GKAS220MEH920	• •	QUAD 230 HP	22 kg 16
	<b>FULL</b>		GKAS220MEH900	• •	QUAD 230 HP	22,2 kg 16
	<b>ENTRY</b>		GKAS300MEH930	• •	QUAD 230 HP	26,1 kg 16
Abacus 300	<b>LIGHT</b>		GKAS300MEH920	• •	QUAD 230 HP	26,2 kg 16
	<b>FULL</b>		GKAS300MEH900	• •	QUAD 230 HP	26,4 kg 16
	<b>ENTRY</b>		GKAS500MEH930	• •	QUAD 230 HP	28 kg 9
Abacus 500	<b>LIGHT</b>		GKAS500MEH920	• •	QUAD 230 HP	28 kg 9
	<b>FULL</b>		GKAS500MEH900	• •	QUAD 230 HP	28 kg 9

= Mechanical endstops - = Encoder

= Available version with electronic endstops

# ABACUS Accessories



			0101		Kg
	<b>AC-60</b>	Galvanized adjustable rear bracket to be screwed	GAS001ASN0G00	6	1 kg
	<b>AC-70</b>	Galvanized rear bracket to be screwed	GAS002ASN0G00	2	0,95 kg
	<b>AC-80</b>	Galvanized rear long bracket to weld	GAS003ASN0G00	2	1,75 kg
	<b>AC-85</b>	Galvanised adjustable front bracket	GAS004ASN0G00	1	0,9 kg

# RAM

## Technical features

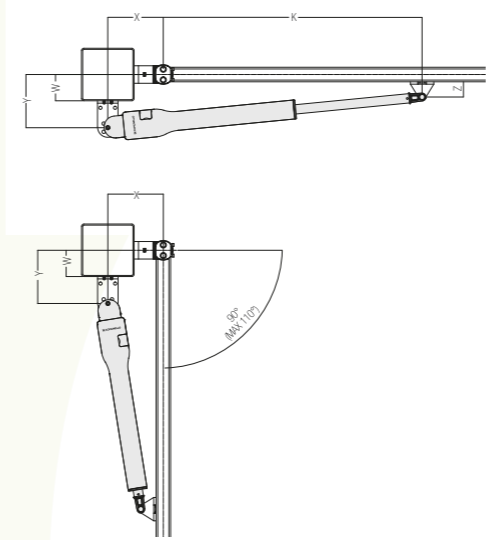


Rear bracket hooking in die-cast aluminum



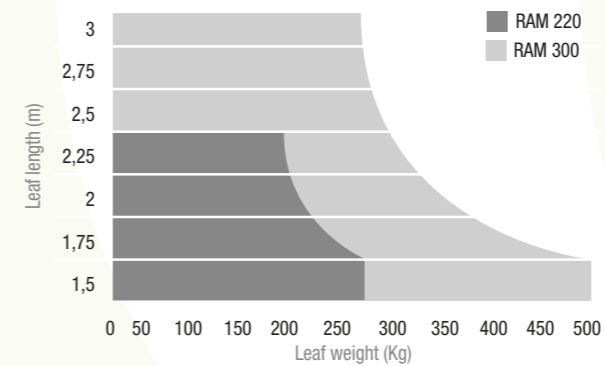
**100% TESTED**

Every single product is duly tested at the end of each assembly line



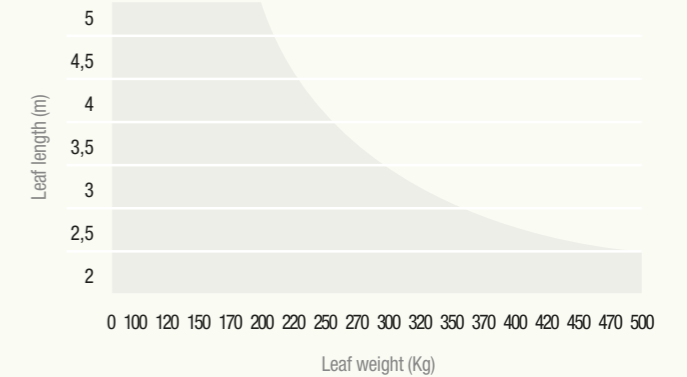
Perfectly-matching metallic transmission-gears for maximum efficiency, precision, quiet movement and reliability.

### OPERATING LIMITS RAM 220/300



MAX OPENING	X	Y	Z	K 220/300	K 500	WMAX
110°	150	152	77	925	1075	50
90°	170	182	77	885	1035	50

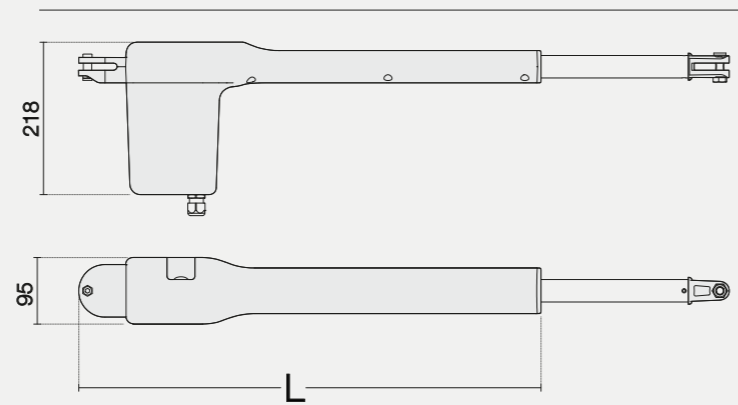
### OPERATING LIMITS RAM 500



MAX OPENING	X	Y	Z	K 220/300	K 500	WMAX
110°	170	110	40	820	970	50
90°	170	110	40	880	1003	50



### DIMENSIONS (mm)



### Technical features

	RAM 220 24V	RAM 300 24V	RAM 300 230V	RAM 500 24V	RAM 500 230V
Voltage	24 VDC	24 VDC	230 VAC	24 VDC	230 VAC
Power consumption	60 W	100 W	280 W	100 W	280 W
Max. absorption	3 A	5 A	1,2 A	5 A	1,2 A
Max. thrust	1500 N	2000 N	1800 N	1800 N	2000 N
Standard stroke	374 mm	374 mm	374 mm	524 mm	524 mm
Duty cycle	Intensive use	Intensive use	40%	Intensive use	30%
Protection degree (IP)	IP44	IP44	IP44	IP44	IP44
Insulation class	2	2	1 (earthing)	2	1 (earthing)
Working temperature	-20°C / +50°C	-20°C / +50°C	-20°C / +50°C	-20°C / +50°C	-20°C / +50°C
No-load speed	18 mm/s	21 mm/s	16 mm/s	22 mm/s	15 mm/s
Weight	7 kg	7,8 kg	8,3 kg	8,8 kg	9,3 kg

# RAM

Automation for swinging gates  
24 Vdc and 230 Vac



24 Vdc and 230 Vac telescopic rod actuators for swinging gates up to 5 m length\*

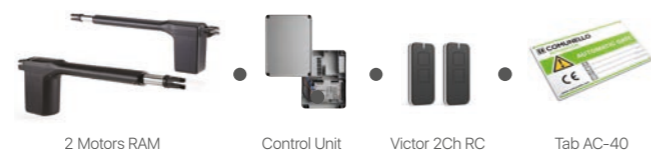
			Max. leaf length*		
<b>RAM 220</b>	24 Vdc	GRM22000LOB00	2,2 m	14 kg	32
<b>RAM 300</b>	24 Vdc	GRM30000LOB00	3,0 m	15,6 kg	32
<b>RAM 300</b>	230 Vac	GRM30000HOB00	3,0 m	16,6 kg	32
<b>RAM 500</b>	24 Vdc	GRM50000LOB00	5,0 m	17,6 kg	32
<b>RAM 500</b>	230 Vac	GRM50000HOB00	5,0 m	18,6 kg	32

Accessories included:



KIT System

## ENTRY KIT



## LIGHT KIT



## FULL KIT



# RAM KIT System



24V Complete kits with telescopic rod actuators for swinging gates, 24 Vdc, up to 5 m length

		KIT System				
		<b>ENTRY</b>		GKRM220HLB930	QUAD 24V HP	17,9 kg 16
<b>RAM 220</b>		<b>LIGHT</b>		GKRM220HLB920	QUAD 24V HP	18,1 kg 16
		<b>FULL</b>		GKRM220HLB900	QUAD 24V HP	18,3 kg 16
		<b>ENTRY</b>		GKRM300HLB930	QUAD 24V HP	19,5 kg 16
<b>RAM 300</b>		<b>LIGHT</b>		GKRM300HLB920	QUAD 24V HP	19,7 kg 16
		<b>FULL</b>		GKRM300HLB900	QUAD 24V HP	19,9 kg 16
		<b>ENTRY</b>		GKRM500HLB930	QUAD 24V HP	21,5 kg 16
<b>RAM 500</b>		<b>LIGHT</b>		GKRM500HLB920	QUAD 24V HP	21,7 kg 16
		<b>FULL</b>		GKRM500HLB900	QUAD 24V HP	21,9 kg 16

# RAM KIT System



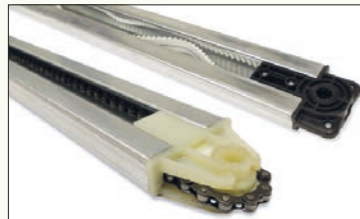
**230V** Complete kits with telescopic rod actuators for swinging gates, 230 Vac, up to 5 m length

	KIT System	0101	☀️	⚖️	📦
	<b>ENTRY</b>	GKRM300HHB930	QUAD 230V HP	19,5 kg	16
 RAM 300	<b>LIGHT</b>	GKRM300HHB920	QUAD 230V HP	19,7 kg	16
	<b>FULL</b>	GKRM300HHB900	QUAD 230V HP	19,9 kg	16
	<b>ENTRY</b>	GKRM500HHB930	QUAD 230V HP	21,0 kg	16
 RAM 500	<b>LIGHT</b>	GKRM500HHB920	QUAD 230V HP	21,2 kg	16
	<b>FULL</b>	GKRM500HHB900	QUAD 230V HP	21,4 kg	16



# RAMPART

Technical features



Can be used with chain or belt guides, split and all-in-one.



Built-in led courtesy light

The motor with 6-pulses per revolution encoder guarantees a precise and reliable stroke reading and obstacle detection.



Every single product is duly tested at the end of each assembly line



Onboard control unit with integrated receiver

Periodical automatic detection of the current absorption during the opening and closing cycle.

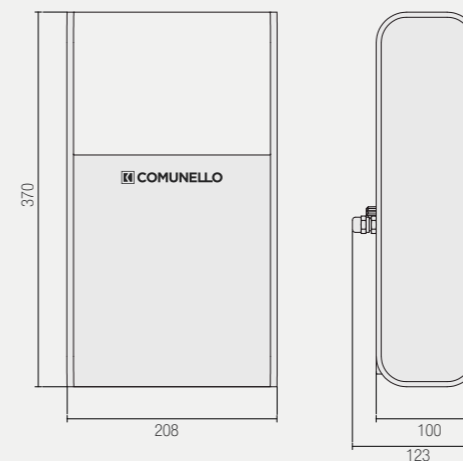
Automatic detection of sensitive edges connected (N.O., N.C., 8k2).

Speed and automatic closure parameters adjustable by trimmer.

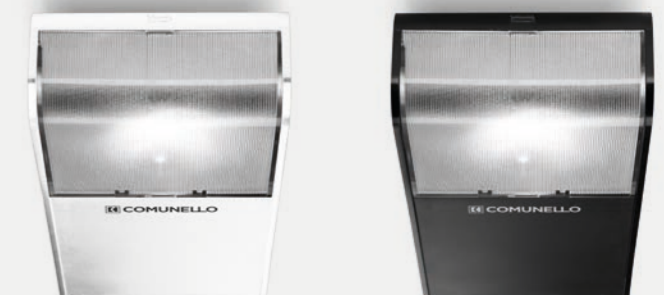
## Technical features

	RAMPART 600 24V	RAMPART 1000 24V
Power	230V (±10%) / 50Hz	230V (±10%) / 50Hz
Maximum pulling effort (force needed to start door move)	600 N	1000 N
Nominal pulling effort (force needed to maintain door move)	200 N	300 N
Maximum door leaf weight	110 kg	210 kg
Maximum opening speed	0,14 meters/seconds	0,14 meters/seconds
Maximum continuous motortime	60 seconds (intermittent operation mode)	60 seconds (intermittent operation mode)
Current consumption	110 W	150 W
Remote controls	433,92MHz / dynamic code 200 Remote controls max	433,92MHz / dynamic code 200 Remote controls max
Insulation class	II	II
Protection rating (IP)	IP20	IP20
Temperature range	-20°C / +50°C	-20°C / +50°C
Actuator weight	4,5kg	5,0kg

## DIMENSIONS (mm)

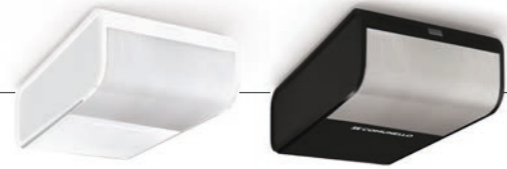


## COLOURS AVAILABLE: WHITE, BLACK



# RAMPART

Electromechanical actuator  
for sectional doors 24 Vdc



24 Vdc motor with encoder and built-in electronics for sectional doors, power 600 N / 1000 N

<b>Rampart 600</b>	24 Vdc	GRT0600EL0W00	•	•	9 m <sup>2</sup>	White	4,9 kg	60
<b>Rampart 600</b>	24 Vdc	GRT0600EL0B00	•	•	9 m <sup>2</sup>	Black	4,9 kg	60
<b>Rampart 1000</b>	24 Vdc	GRT1000EL0W00	•	•	16 m <sup>2</sup>	White	6,0 kg	60
<b>Rampart 1000</b>	24 Vdc	GRT1000EL0B00	•	•	16 m <sup>2</sup>	Black	6,0 kg	60

## CHAIN



## BELT



## CHAIN



## BELT



WHITE KIT

BLACK KIT



KIT System

# RAMPART KIT System

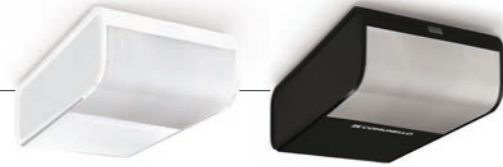


Complete kits with actuator for sectional doors, 24 Vdc, up to 1000 N

		KIT System			
	<b>CHAIN</b>		GKRT060CLW000	13,5 kg	48
	<b>BELT</b>		GKRT060BLW000	14 kg	48
	<b>CHAIN</b>		GKRT060CLB000	13,5 kg	48
	<b>BELT</b>		GKRT060BLB000	14 kg	48
	<b>CHAIN</b>		GKRT100CLW000	14,5 kg	48
	<b>BELT</b>		GKRT100BLW000	15 kg	48
	<b>CHAIN</b>		GKRT100CLB000	14,5 kg	48
	<b>BELT</b>		GKRT100BLB000	15 kg	48



# RAMPART Accessories



	<b>AC-470</b>	Support brackets kit	GRT001AANOG00	1	0,3 kg
	<b>AC-400</b>	3,25 m one-piece chain guide	GRT3250GC0G00	1	8,2 kg
	<b>AC-410</b>	3,25 m splitted belt guide, 2 x 1,65 m	GRT3250GB0G00	1	8,6 Kg
	<b>AC-420</b>	3,25 m one-piece belt guide, 1 x 3,25 m	GRT3250GD0G00	1	7,4 kg
	<b>AC-430</b>	4 m splitted belt guide, 2 x 2,00m	GRT4000GB0G00	1	9,6 kg
	<b>AC-440</b>	Cable release for traction slide	GRTCORDONOG00	1	0,4 kg
	<b>AC-450</b>	Galvanised swing arm	GRT001ASN0G00	1	3,7 kg



# SALIENT

## Technical features



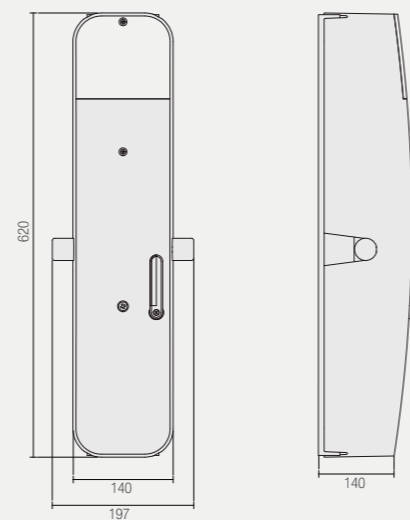
Every single product is duly tested at the end of each assembly line



### Technical features

	SALIENT 24V	SALIENT 230V FAST	SALIENT 230V SLOW
Power supply	230 VAC	230 VAC	230 VAC
Motor power supply	24 VDC	230 VAC	230 VAC
Current input	150 W	280 W	280 W
Power consumption	6,5 A	1,2 A	1,2 A
Torque	330 Nm	440 Nm	440 Nm
Duty cycle	Intensive use	40%	40%
Protection rating (IP)	IP24D	IP24D	IP24D
Insulation class	2	1 (earthing)	1 (earthing)
Working temperature	-20°C / +50°C	-20°C / +50°C	-20°C / +50°C
Speed	1,7 rpm	1,7 rpm	1,2 rpm
Weight	11,2 Kg	11,4 Kg	11,4 Kg

### DIMENSIONS (mm)





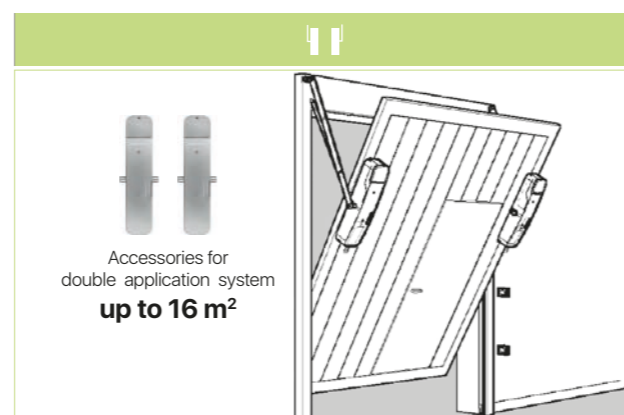
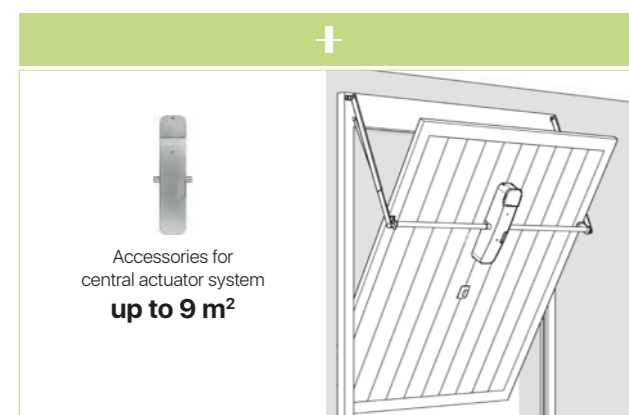
# SALIENT

Electromechanical actuators for projecting and non-projecting up-and-over garage doors. 24 Vdc and 230 Vac



Actuator with built-in encoder and electronics, up to 9 m<sup>2</sup> with one motor, 16 m<sup>2</sup> with two motors

			Arm section	0100 10101 0010					
<b>Salient</b>	24 Vdc	GSTOF0ECL0G00	⊙	•	•	•	9,3 kg	30	
<b>Salient</b>	24 Vdc	GSTOF0E0LOG00	⊙	•			7,3 kg	30	
<b>Salient</b>	24 Vdc	GSTQF0ECL0G00	⊠	•	•	•	9,3 kg	30	
<b>Salient</b>	24 Vdc	GSTQF0E0LOG00	⊠	•			7,3 kg	30	
<b>Salient</b>	230 Vac	GSTOF0ECH0G00	⊙	•	•	•	9,8 kg	30	
<b>Salient</b>	230 Vac	GSTOF0E0H0G00	⊙	•			7,8 kg	30	
<b>Salient</b>	230 Vac	GSTQF0ECH0G00	⊠	•	•	•	9,8 kg	30	
<b>Salient</b>	230 Vac	GSTQF0E0H0G00	⊠	•			7,8 kg	30	



# SALIENT KIT System



**24V** Complete kits with actuator for overhead doors, 24 Vdc

	KIT System								
<b>SALIENT KIT square section</b>							GKSTQF0ECL0G00	CU 24V HP	12 kg 20
<b>SALIENT DOBLE MOTOR KIT square section</b>							GKSTQF1ECL0G00	CU 24V HP	19,6 kg 12

## SALIENT KIT



KIT System

## SALIENT DOBLE MOTOR KIT



# SALIENT Accessories



					*	+		
	<b>AC-360</b>	Galvanised return arms L = 1500 mm	GST001AAN0G00	⊙	•		1	6,2 Kg
	<b>AC-370</b>	Galvanised return arms L = 200 mm	GST002AAN0G00	⊙	•		1	0,97 Kg
	<b>AC-375</b>	Galvanised return arms L = 2000 mm	GST003AAN0G00	⊙	•		1	8 Kg
	<b>AC-330</b>	Galvanised straight arms with round bushings	GST003ASN0G00	⊙	•	•	1	4,1 Kg
	<b>AC-340</b>	Galvanised curved arms with round bushings	GST004ASN0G00	⊙	•	•	1	4,6 Kg
	<b>AC-310</b>	Galvanised straight arms with ribbed bushings	GST001ASN0G00	⊙	•	•	1	4,1 Kg
	<b>AC-320</b>	Galvanised curved arms with ribbed bushings	GST002ASN0G00	⊙	•	•	1	4,6 Kg
	<b>AC-350</b>	Galvanised return arm support bracket	GST005ASN0G00	⊙	•		1	0,3 Kg
	<b>AC-361</b>	Galvanised return arm support bracket	GST001AQN0G00	⊠	•		1	6,2 Kg
	<b>AC-371</b>	Galvanised square arms L = 200 mm	GST002AQN0G00	⊠	•		1	0,97 Kg

# SALIENT Accessories



					*	+		
	<b>AC-376</b>	Galvanised square arms L = 2000 mm	GST003AQN0G00	⊠	•		1	8 Kg
	<b>AC-311</b>	Galvanised straight arms with ribbed bushings	GST001SQN0G00	⊠	•	•	1	4,1 Kg
	<b>AC-321</b>	Galvanised curved arms with squared bushings	GST002SQN0G00	⊠	•	•	1	4,6 Kg
	<b>AC-351</b>	Galvanised square arm support bracket	GST005SQN0G00	⊠	•		1	0,3 Kg
	<b>AC-300</b>	Galvanised support bracket L = 615 mm	GST006ASN0G00	⊠ ⊙	•	•	1	2,0 Kg
	<b>AC-305</b>	Galvanised support bracket L = 1250 mm	GST007ASN0G00	⊠ ⊙	•	•	1	4,1 Kg
	<b>AC-307</b>	Galvanised support bracket L = 2000 mm	GST008ASN0G00	⊠ ⊙	•	•	1	6,5 Kg
	<b>AC-380</b>	Galvanised external release lever	GST001SCN0G00	⊠ ⊙	•	•	1	0,17 Kg

**+**\*

**\***

Accessories for  
central actuator system  
**up to 9 m<sup>2</sup>**

**||\***

**\***

Accessories for  
double application system  
**up to 16 m<sup>2</sup>**

# BORDER up to 4m beam

Start of the slowdown phases adjustable by dip-switches. Thanks to the adjustable cams it is possible to change the slowdown starting points according to the needs.

Mechanical stop adjustment by one screw

Spherical self-lubricating eyelet-fixed spring for smoother, wear reducing movement

Easily accessible and extractable built-in control board for appropriate programming

A single spring can be fixed in 2 different holes of the spring-tensioning arm according to the different bar length



Manual unlocking system available from both sides by aluminium handle

Robust ambidextrous bar support in die-cast aluminium



Light and durable elliptical section beam

Robust steel frame with protective treatment

Depending on the length of the beam and relative accessories, the AC-541 spring must be fixed to one of the holes of the spring-tightening arm according to the table and diagram below.

SPRING AC-541	SPRING POSITIONING AC-541			SPRING-TIGHTENING ARM
ROD LENGTH	2 m	3 m	4 m	
BEAM	-	1-2 *	2	
BEAM WITH PROTECTIVE RUBBER	1	1-2 *	2	
BEAM WITH MOBILE SUPPORT	1	2	2	

\* The spring could be fixed to both holes with a proper regulation

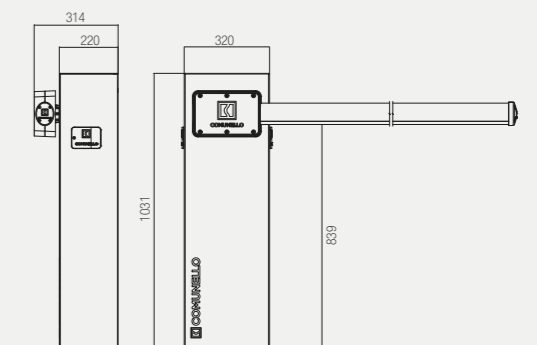


Every single product is duly tested at the end of each assembly line

### TECHNICAL FEATURES

	BORDER 400 24V
Power supply	230 VAC
Motor power supply	24 VDC
Power consumption	150 W
Current input	6,2 A
Torque	100 Nm
Duty cycle	Intensive use
Protection rating (IP)	IP44
Insulation class	2
Working temperature	-20°C / +50°C

### DIMENSIONS (mm)



For beams up to 4 m in length



# BORDER

Automation for road barriers  
24 Vdc - BORDER



## 24 Vdc electromechanical barrier

Product description	Voltage	Article	Control unit	Radio receiver	Weight	Quantity per pallet
<b>Border 400</b>	24 Vdc	GBR040EVL0A00	CU 24V BR	•	45 kg	9

# BORDER KIT System



## Complete 24 Vdc Border barrier kit with 3 m beam

Product description	Article	Weight	Quantity per pallet
<b>Kit Border 400 - 3 m</b>	GKBRO30VLOA901	50 kg	9

<b>BR400-24V</b> Border 400 24V	<b>AC-631</b> Aluminium elliptical beam L = 3 m	<b>AC-660</b> Reflective adhesive strips Comunello (pack of 30 pieces)	<b>AC-717</b> End plug for elliptical beam with protective profile	<b>AC-500</b> Foundation kit	<b>AC-541</b> Spring for light bar Border/Limit
	<b>AC-671</b> Red protective profile for elliptical beam for Border, L= 3 m				

## Complete 24 Vdc Border barrier kit with 4 m beam

Product description	Article	Weight	Quantity per pallet
<b>Kit Border 400 - 4 m</b>	GKBRO40VLOA901	51,2 kg	9

<b>BR400-24V</b> Border 400 24V	<b>AC-641</b> Aluminium elliptical beam L = 4 m	<b>AC-660</b> Reflective adhesive strips Comunello (pack of 30 pieces)	<b>AC-717</b> End plug for elliptical beam with protective profile	<b>AC-500</b> Foundation kit	<b>AC-541</b> Spring for light bar Border/Limit
	<b>AC-672</b> Red protective profile for elliptical beam for Border, L= 4 m				

# Accessories



Image	Article	Description	Article	Quantity	Weight
	<b>AC-30</b>	Outdoor antenna (cable L = 3m) 433.92 MHz	GANTENNAN0G00	1	0,2 kg
	<b>AC-240</b>	Inductive sensor	GINDUCTON0G00	1	0,28 kg
	<b>AC-500</b>	Foundation Kit Border 400/Limit 500	GLTANCHOR0G00	1	1,8 Kg
	<b>AC-541</b>	Spring for light bar Border/Limit	GLTSPRINGUG00	1	3,8 kg
	<b>AC-560A</b>	Arm nesting post for barriers	GLTFIX0000A00	1	4,6 kg
	<b>AC-570</b>	Swing down support for beam	GLTSUPPORTG00	1	1,05 kg
	<b>AC-590</b>	Aluminium curtain for barrier, L = 2 m	GLTHEDGE02W00	1	1,7 kg
	<b>AC-631</b>	Aluminium elliptical beam L = 3 m	GBRBAR3001W00	1	2,9 kg
	<b>AC-641</b>	Aluminium elliptical beam L = 4 m	GBRBAR4001W00	1	3,9 kg
	<b>AC-660</b>	Reflective adhesive strips Comunello (pack of 30 pieces)	GLTSTRIP00W00	1	0,01 kg
	<b>AC-671</b>	Red barrier elliptical beam cover for Border, L= 3m	GBRTOPP301R00	1	0,57 kg
	<b>AC-672</b>	Red barrier elliptical beam cover for Border, L= 4m	GBRTOPP401R00	1	0,87 kg
	<b>AC-705</b>	End plug for tablet elliptical beam Border	GBRPLUG030W00	1	0,03 kg
	<b>AC-717</b>	End plug for elliptical beam with protective profile	GBRPLUG011W00	1	0,03 kg
	<b>AC-718</b>	End plug for elliptical beam with protective profile	GBRPLUG020W00	1	0,03 kg

# LIMIT 500

up to 5m beam

Possibility to install a LED signal light on board

Robust ambidextrous beam support in die-cast aluminium



Possibility to install, along the beam length, beam strip LED for crossing-light version or with white light

Manual key and fold-away emergency release lever

Robust steel frame with protective treatment

Micro-switch and mechanical stop adjustment by one screw

Easily accessible built-in control board for appropriate programming

Spherical self-lubricating eyelet-fixed spring for smoother, wear reducing movement

A single spring is provided which, depending on the length of the beam, is fixed to one of the holes in the spring tensioning arm



Depending on the length of the beam and relative accessories, the AC-541 spring must be fixed to one of the holes of the spring-tightening arm according to the table and diagram below.

SPRING AC-541	SPRING POSITIONING AC-541				SPRING-TIGHTENING ARM
ROD LENGTH	2 m	3 m	4 m	5 m	
BEAM	1	1/2 *	1/2/3 *	2/3 *	
BEAM WITH PROTECTIVE RUBBER AND LED STRIP LED	1	1/2 *	2/3 *	3	
BEAM WITH PROTECTIVE RUBBER, STRIP LED AND MOBILE SUPPORT	1	1/2 *	3	3	
BEAM WITH PROTECTIVE RUBBER, STRIP LED AND ALUMINUM SKIRT	-	2	3	-	
BEAM WITH PROTECTIVE RUBBER, STRIP LED AND ALUMINUM SKIRT AND MOBILE SUPPORT	-	3	3	-	

\* The SPRING can be fixed in the indicated holes with adequate adjustment for a correct balance of the rod. With the barrier unlocked, the rod must remain in balance at 45°

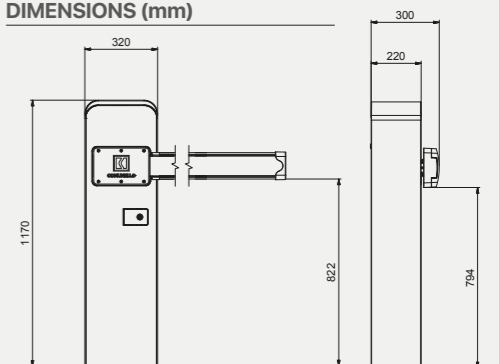


Every single product is duly tested at the end of each assembly line

### TECHNICAL FEATURES

	LIMIT 500 24V
Power supply	230 VAC
Motor power supply	24 VDC
Power consumption	150 W
Current input	6,2 A
Torque	300 Nm
Duty cycle	Intensive use
Protection rating (IP)	IP44
Insulation class	2
Working temperature	-20°C / +50°C

### DIMENSIONS (mm)



For beams up to 5 m in length



For beams up to 10 m in length (5+5m)



# LIMIT 500 ONE BUS

Automation for road barriers 24 Vdc - LIMIT ONE TECHNOLOGY



24 Vdc electromechanical barrier with encoder, One Technology

LIMIT 500 ONE	24V	G1LX50EELOR00	CU 24V LIMIT ONE	•	47,5 kg	9

# LIMIT 500

Automation for road barriers 24 Vdc - LIMIT



24 Vdc electromechanical barrier with encoder

Limit 500	24 Vdc	GLTX50EELOR00	CU 24V LT	•	47,5 kg	9



# LIMIT 500 KIT System



Complete kits with 24 Vdc barrier, up to 5 m beam

Kit Limit 500 - 4 m	GKLTx40ELOR901	59 kg	9
Kit Limit 500 - 5 m	GKLTx50ELOR901	59 kg	9



KIT Versions available also with splitted beams (2m + 2m / 3m + 2m and AC-775 Rectangular Beam Joint)

Complete 24 Vdc barrier kit with 5 m boom with traffic light function

Kit Limit 500 - 4 m - Traffic light	GKLTx40ELOR907	60 kg	9
Kit Limit 500 - 5 m - Traffic light	GKLTx50ELOR907	60 kg	9



KIT Versions available also with splitted beams (2m + 2m / 3m + 2m and AC-775 Rectangular Beam Joint)

# LIMIT 600

up to 6m beam

Possibility to install a LED signal light on board

Robust ambidextrous beam support in die-cast aluminium



Possibility to install, along the beam length, beam strip LED for crossing-light version or with white light



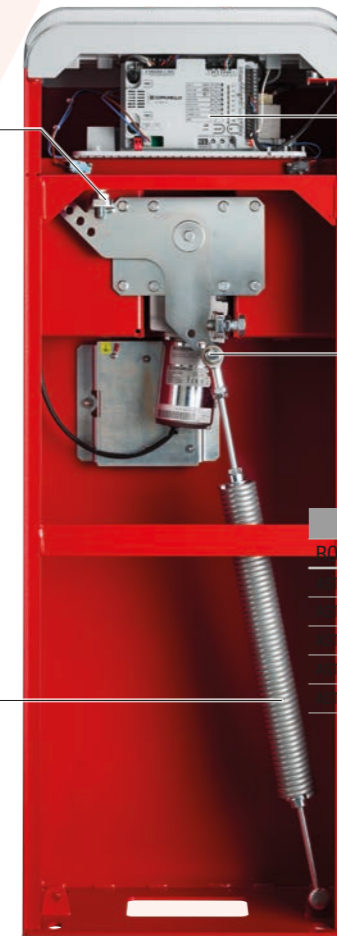
Manual key and fold-away emergency release lever

Robust steel frame with protective treatment

Micro-switch and mechanical stop adjustment by one screw

Easily accessible built-in control board for appropriate programming

Spherical self-lubricating eyelet-fixed spring for smoother, wear reducing movement



A single spring is provided which, depending on the length of the beam, is fixed to one of the holes in the spring tensioning arm

SPRING POSITIONING AC-541

ROD LENGTH	2 m	3 m	4 m	5 m	6 m
CON GUAINA E LED	1-2*	1-2-3*	3	3	3
CON GUAINA E LED e CON APPOGGIO MOBILE	1-2*	3	3	3	3
CON GUAINA SINGOLA, LED, SIEPE	-	3	3	3	-
CON GUAINA SINGOLA, LED, SIEPE e APPOGGIO MOBILE	-	3	3	3	-

Depending on the length of the beam and relative accessories, the AC-541 spring must be fixed to one of the holes of the spring-tightening arm according to the table and diagram below.

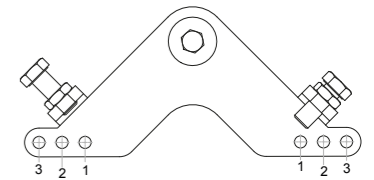
SPRING AC-541



SPRING POSITIONING AC-541

ROD LENGTH	2 m	3 m	4 m	5 m	6 m
BEAM	1-2*	1-2-3*	3	3	3
BEAM WITH PROTECTIVE RUBBER AND LED STRIP LED	1-2*	3	3	3	3
BEAM WITH PROTECTIVE RUBBER, STRIP LED AND MOBILE SUPPORT	1-2*	3	3	3	3
BEAM WITH PROTECTIVE RUBBER, STRIP LED AND ALUMINUM SKIRT	-	3	3	3	-
BEAM WITH PROTECTIVE RUBBER, STRIP LED AND ALUMINUM SKIRT AND MOBILE SUPPORT	-	3	3	3	-

SPRING-TIGHTENING ARM



\* The SPRING can be fixed in the indicated holes with adequate adjustment for a correct balance of the rod. With the barrier unlocked, the rod must remain in balance at 45°

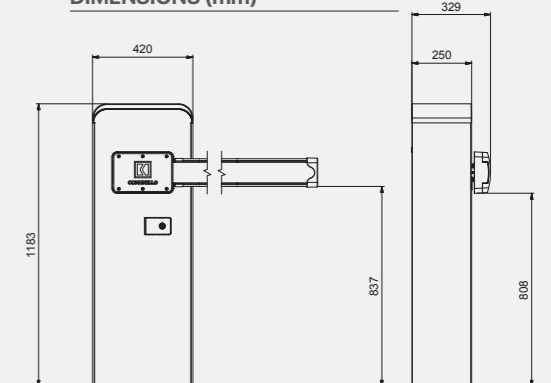


Every single product is duly tested at the end of each assembly line

## TECHNICAL FEATURES

	LIMIT 600 24V
Power supply	230 VAC
Motor power supply	24 VDC
Power consumption	150 W
Current input	6,2 A
Torque	300 Nm
Duty cycle	Intensive use
Protection rating (IP)	IP44
Insulation class	2
Working temperature	-20°C / +50°C

## DIMENSIONS (mm)



For beams up to 6 m in length



For beams up to 12 m in length (6+6m)



# LIMIT 600 ONE BUS

Automation for road barriers 24 Vdc - LIMIT ONE TECHNOLOGY



24 Vdc electromechanical barrier with encoder, One Technology

Limit 600 ONE	24V	G1LX60EELOR00	CU 24V LIMIT ONE	57,5 kg	6

# LIMIT 600

Automation for road barriers 24 Vdc - LIMIT



24 Vdc electromechanical barrier with encoder

Limit 600	24 Vdc	GLTX60EELOR00	CU 24V LT	57,5 kg	6

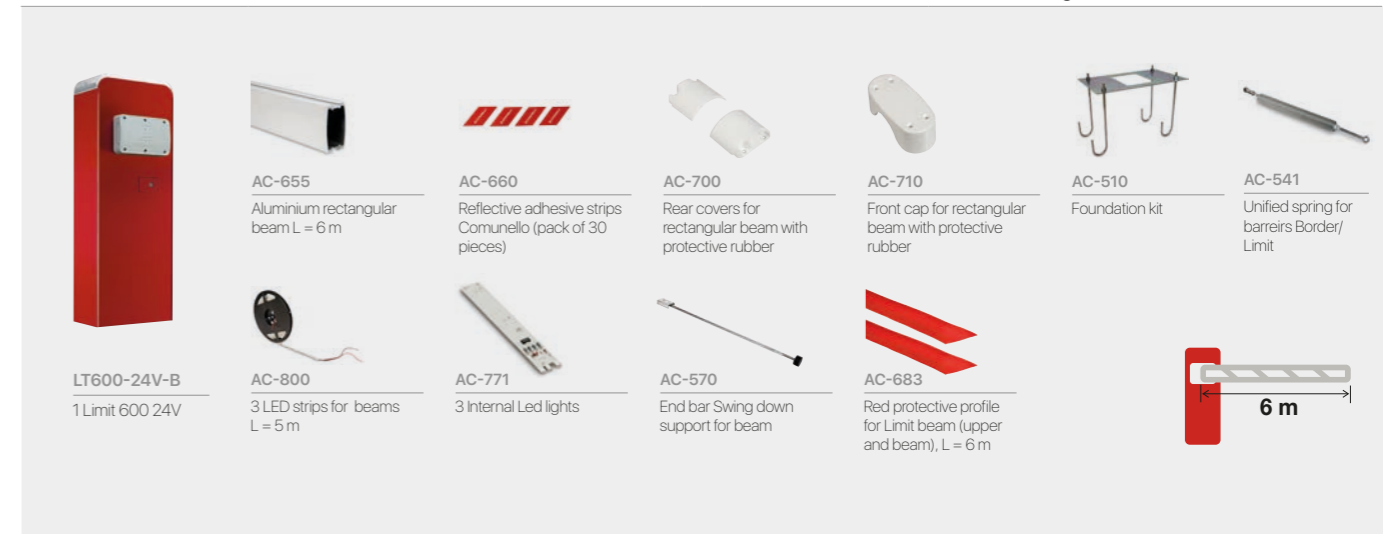


# LIMIT 600 KIT System



24 Vdc electromechanical barrier with encoder, 6 m beam

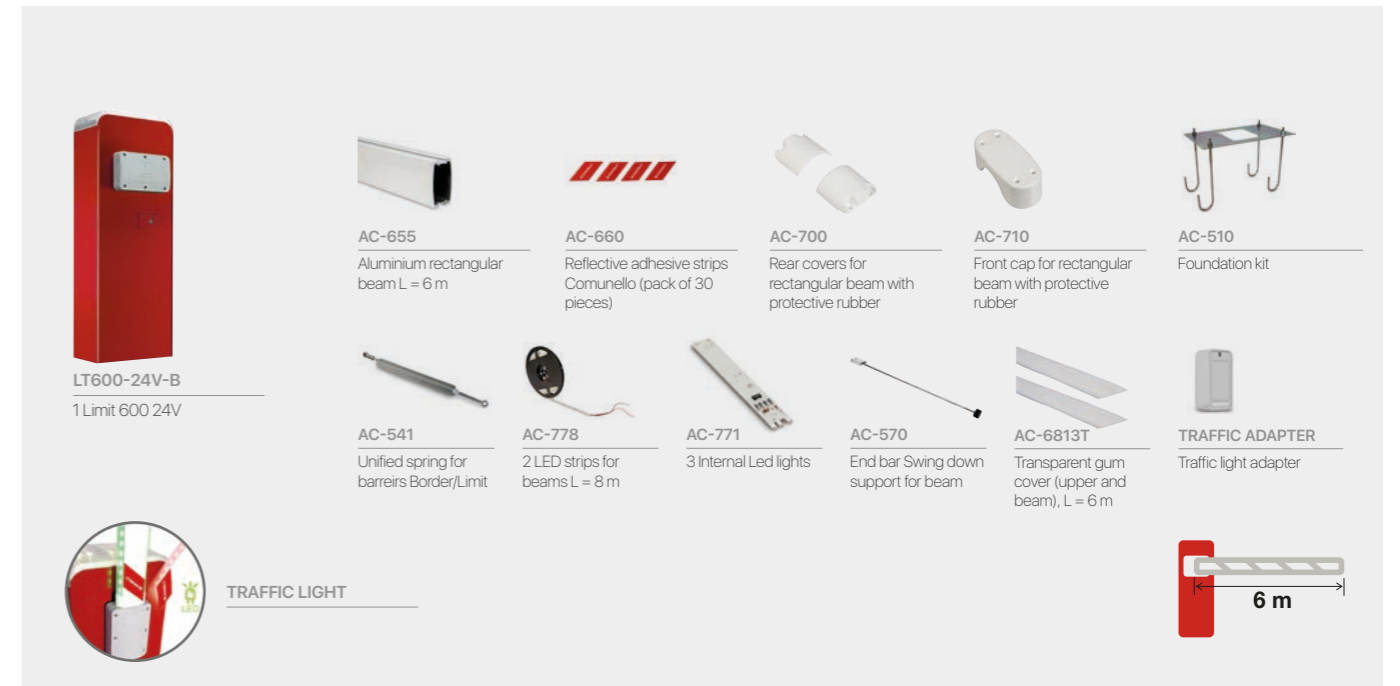
Limit 600	24 Vdc	GKLTX60ELOR901	CU 24V LT	57,5 kg	6



KIT Version available also with splitted beams (3m + 3m and AC-775 Rectangular Beam joint)

Complete 24 Vdc barrier kit with 6 m boom with traffic light function

KIT Limit 600 - 6 m - Traffic light	GKLTX60ELOR907	57,5 kg	6



KIT Version available also with splitted beam (3m + 3m and AC-775 Rectangular Beam joint)



# LIMIT 800

up to 8m beam



Possibility to install a LED signal light on board

Robust ambidextrous beam support in shaped steel

Possibility to install, along the beam sides, beam strip LED for crossing-light version or with white light

Manual key and fold-away emergency release lever

Robust steel frame with protective treatment



Easily accessible control unit for a proper programming

Adjustable screws allow a more precise mechanical stop

Easy adjustment of the limit switches by means of the special screw in the tension plate

Available single spring or double spring depending on the size of beam and accessories

**ASSEMBLING BEAM, SPRING CHOICE AND BALANCE**

**LENGTH**

	6,00	6,50	7,00	7,50	8,00
Beam with joint and plug	●	●	●	●	●
Beam with joint, plug and strip led	●	●	●	●	●
Beam with joint, plug and protective rubbers	●	●	●	●	●
Beam with joint, plug, protective rubbers and strip led	●	●	●	●	●
Beam with joint, plug and mobile support	●	●	●	●	●
Beam with joint, plug, mobile support and strip led	●	●	●	●	●
Beam with joint, plug, mobile support, strip led and protective rubbers	●	●	●	●	●
Beam with joint, plug and aluminum skirt	●	●	●	●	●
Beam with joint, plug, aluminum skirt and strip led	●	●	●	●	●
Beam with joint, plug, aluminum skirt, strip led and mobile support	●	●	●	●	●

● SPRING AC 540 ● Double SPRING AC 550

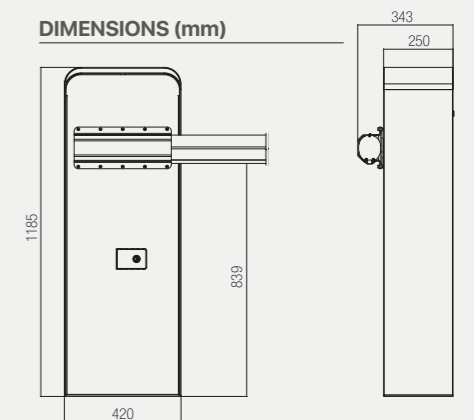


Every single product is duly tested at the end of each assembly line

**TECHNICAL FEATURES**

	LIMIT 800 24V
Power supply	230 VAC
Motor power supply	24 VDC
Power consumption	150 W
Current input	6,2 A
Torque	300 Nm
Duty cycle	Intensive use
Protection rating (IP)	IP44
Insulation class	2
Working temperature	-20°C / +50°C

**DIMENSIONS (mm)**



For beams up to 7 m (3+4 m) and up to 8 m (4+4 m)



For beams up to 10/16 m



# LIMIT 800 ONE BUS

Automation for road barriers 24 Vdc - LIMIT ONE TECHNOLOGY



24 Vdc electromechanical barrier with encoder, One Technology

LIMIT 800 ONE	24V	G1L080EELOR00	CU 24V LIMIT	95 kg	6

# LIMIT 800

Automation for road barriers 24 Vdc - LIMIT



24 Vdc electromechanical barrier with encoder

Limit 800	24 Vdc	GLT080EELOR00	CU 24V LT	95 kg	6



# LIMIT 800 KIT System



Complete 24 Vdc barrier kit up to 8 m boom with traffic light function

Kit Limit 800 - 8 m - Traffic light	GKLT080EELOR907	122 kg	6

LT800-24V-B 1 Limit 600 24V	AC-510 Foundation kit	AC-550 Doble spring for Limit 800	AC-771 3 Internal LED lights	AC-570 End bar Swing down support for beam	AC-684 Red protective profile for Limit round beam, L = 8 m	TRAFFIC ADAPTER Traffic light adapter

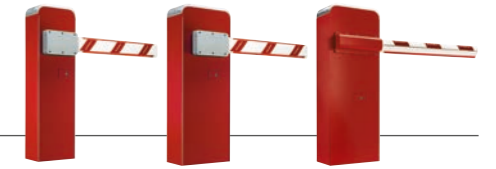
	TRAFFIC LIGHT	
--	---------------	--

# LIMIT Accessories



	Product description	Product code	Article	Compatible with			Quantity per box	Weight
				Limit 500	Limit 600	Limit 800		
	AC-30 Outdoor antenna (cable L = 3m) 433.92 MHz	GANTENNAN0G00		•	•	•	1	0,2 kg
	AC-240 Inductive sensor	GINDUCTON0G00		•	•	•	1	0,28 kg
	AC-500 Foundation Kit Border 400/ Limit 500	GLTANCHOR0G00		•			1	1,8 Kg
	AC-510 Foundation Kit Limit 600/800	GLTANCHO80G00			•	•	1	2,2 kg
	AC-541 Unified spring for light bar Border/Limit	GLTSPRINGUG00		•	•	•	1	3,8 kg
	AC-550 Doble spring for Limit 800	GLTSPRINGTG00				•	1	7,1 kg
	AC-560R Arm nesting post for barriers	GLTFIX0000R00		•	•	•	1	4,6 kg
	AC-570 Swing down support for beam	GLTSUPPORTG00		•	•	•	1	1,05 kg
	AC-580 90° jointed rod for barrier	GLTANG9000G00		•	•		1	6,7 kg
	AC-590 Aluminium curtain for barrier, L = 2 m	GLTHEDGE02W00		•	•	•	1	1,7 kg
	AC-630 Aluminium rectangular beam L = 3 m	GLTBAR3001W00		•	•		1	3,5 kg
	AC-640 Aluminium rectangular beam L = 4 m	GLTBAR4001W00		•	•		1	4,7 kg
	AC-650 Aluminium rectangular beam L = 5 m	GLTBAR5001W00		•	•		1	5,90 kg
	AC-655 Aluminium rectangular beam L = 6 m	GLTBAR6001W00		•	•		1	7,00 kg
	AC-731 Aluminium round barrier L = 3 m	GLTBAR8300W00				•	1	3,70 kg
	AC-741 Aluminium round barrier L = 4 m	GLTBAR8400W00				•	1	5,20 kg
	AC-751 Aluminium round barrier L = 5 m	GLTBAR8500W00				•	1	6,50 kg
	AC-765 Round beam joint	GLTJOINTT1G00				•	1	1,10 kg
	AC-775 Rectangular beam joint	GLTJOINTR0G00		•	•		1	1,10 kg
	AC-660 Reflective adhesive strips Comunello (pack of 30 pieces)	GLTSTRIP00W00		•	•		1	0,10 kg
	AC-661 Reflective adhesive strips Comunello (pack of 30 pieces) for LIMIT 800	GLTSTRIP01W00				•	1	0,10 kg

# LIMIT Accessories



	Product description	Product code	Article	Compatible with			Quantity per box	Weight
				Limit 500	Limit 600	Limit 800		
	AC-670 Red gum cover (upper and bottom), L= 3 m	GLTTOPP301R00		•	•		1	0,62 kg
	AC-681 Red gum cover (upper and bottom), L= 4 m	GLTTOPP401R00		•	•		1	0,85 kg
	AC-682 Red gum cover (upper and bottom), L= 5 m	GLTTOPP501R00		•	•		1	1,60 kg
	AC-683 Red gum cover (upper and bottom), L= 6 m	GLTTOPP601R00		•	•		1	1,71 kg
	AC-684 Red gum cover (bottom), L= 8 m	GLTTOPP801R00				•	1	0,85 kg
	AC-670T Transparent gum cover (upper and bottom), L= 3 m	GLTTOPP301T00		•	•		1	0,62 kg
	AC-681T Transparent gum cover (upper and bottom), L= 4 m	GLTTOPP401T00		•	•		1	0,85 kg
	AC-682T Transparent gum cover (upper and bottom), L= 5 m	GLTTOPP501T00		•	•		1	1,60 kg
	AC-683T Transparent gum cover (upper and bottom), L= 6 m	GLTTOPP601T00		•	•		1	1,71 kg
	AC-700 Rectangular beam end plug with protection outline	GLTSTOPPERW00		•	•		1	0,01 kg
	AC-710 End plug for rectangular beam with protection gum cover	GBRPLUG011W00		•	•		1	0,06 kg
	AC-715 End plug for rectangular beam without protection gum cover	GLTPLUG021W00		•	•		1	0,03 kg
	AC-713 End plug for round Beam with protection gum cover	GLTPLUG041W00				•	1	0,05 kg
	AC-771 Internal superior LED lights	GLTSWIFTN1G00		•	•	•	1	0,2 kg
	AC-800 Luminous LED strips for beam, L = 5 m	GLTLED5000W00		•	•	•	1	0,4 kg
	AC-778 Luminous RGB LED strips for beam, L = 8 m	GLTLED80T0W00		•	•	•	1	1,10 kg
	TRAFFIC ADAPTER Traffic light adapter	GTRAFADAP0G00		•	•	•	1	0,2 kg

# MY2020 ACCESSORIES

Complete range of new generation security accessories



# MY2020 ACCESSORIES

Complete range of new generation security accessories



# NEW DART

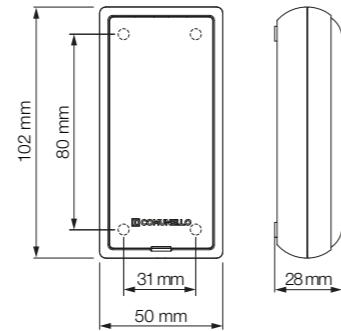
---

Protection  
Design  
Adjustment  
Simplicity  
Reliability  
Duration  
Range  
Technology



## New generation outdoor photocells

- Protection:** Electronics protected by a preassembled gasket on a dedicated housing.
- Simplicity and ease of installation:** Cable passage arranged both at the bottom and at the rear of the photocell. Large space dedicated to wiring.
- Design:** New attractive design with no visible screws
- Adjustment:** The slotted holes allow adjustment of the position even after installation
- Duration:** High quality plastic material with anti-UV additives and embossed painting
- Sync Version:** The DART SYNC version allows automatic synchronization between transmitter and receiver to avoid interference in systems with multiple pairs of photocells.

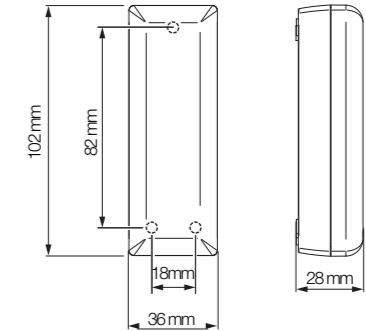


Product description	Product code	Article	Voltage	IP	Range	Quantity per pallet	Quantity per box	Weight
<b>DART</b>	GDARTSTDN0B00A	Pair of photocells with range up to 15 m	12V / 24V	IP 54	15m	1 Kit	0,15 Kg	
<b>DART SYNC</b>	GDARTSTDN1B00	Pair of photocells, synchronized version with range up to 20 m	12V / 24V	IP 54	20m	1 Kit	0,15 Kg	

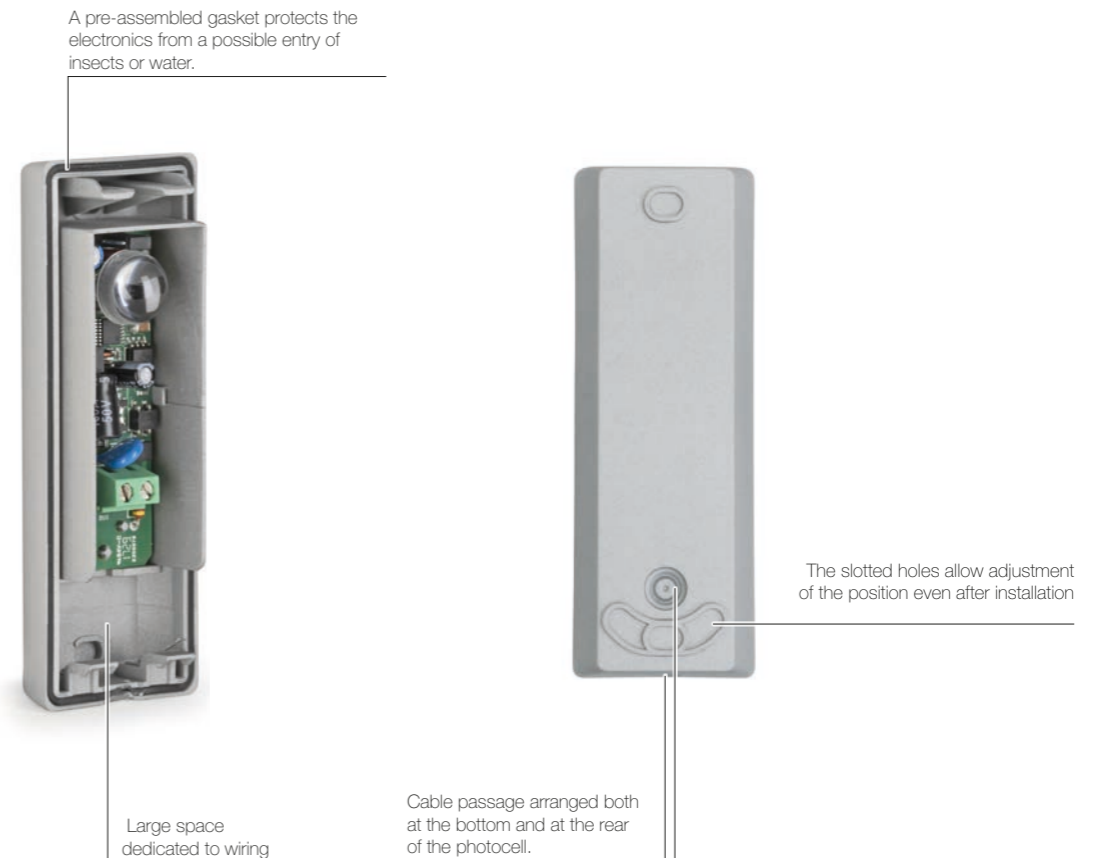


## New generation outdoor photocells, slim version

- Protection:** Electronics protected by a preassembled gasket on a dedicated housing.
- Simplicity and ease of installation:** Cable passage arranged both at the bottom and at the rear of the photocell. Large space dedicated to wiring.
- Design:** New attractive design with no visible screws
- Adjustment:** The slotted holes allow adjustment of the position even after installation
- Duration:** High quality plastic material with anti-UV additives and embossed painting
- Sync Version:** The DART SYNC version allows automatic synchronization between transmitter and receiver to avoid interference in systems with multiple pairs of photocells.



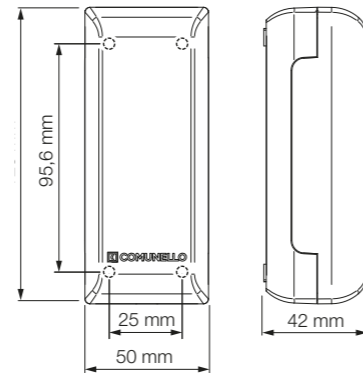
Product description	Product code	Article	Voltage	IP	Range	Quantity per pallet	Quantity per box	Weight
<b>DART SLIM</b>	GDARTSLMN0B00A	Pair of photocells, slim version, with a range of up to 15 m	12V / 24V	IP 54	15m	1 Kit	0,12 Kg	
<b>DART SLIM SYNC</b>	GDARTSLMN1B00A	Pair of slim photocells, slim and synchronized version, with range up to 20 m	12V / 24V	IP 54	20m	1 Kit	0,12 Kg	



# DART ADJUSTABLE

New generation outdoor adjustable photocells, painted finish

- Protection:** Electronics protected by a preassembled gasket on a dedicated housing.
- Simplicity and ease of installation:** Cable passage arranged both at the bottom and at the rear of the photocell. Large space dedicated to wiring.
- Design:** New attractive design with no visible screws
- Adjustment:** Transmitter and receiver can rotate 180° on the vertical axis and 40° on the horizontal axis. The slotted holes allow adjustment of the position even after installation
- Duration:** High quality plastic material with anti-UV additives and embossed painting
- Sync Version:** The DART SYNC version allows automatic synchronization between transmitter and receiver to avoid interference in systems with multiple pairs of photocells.



Product description	Product code	Article	Voltage	Control unit	Encoder	Radio receiver	Weight	Quantity per pallet	Quantity per box	Product price
<b>DART ADJUSTABLE</b>	GDARTADJN0B00A	Pair of adjustable photocells with range up to 15 m	12V / 24V	IP 54	15m	1 Kit	0,25 Kg			
<b>DART ADJUSTABLE SYNC</b>	GDARTADJN1B00A	Pair of adjustable photocells, synchronized version with range up to 20 m	12V / 24V	IP 54	20m	1 Kit	0,25 Kg			

A pre-assembled gasket protects the electronics from any entry of insects or water.

The 4 slotted holes allow adjustment of the position even after installation

Large space dedicated to wiring

Transmitter and receiver can rotate 180° on the vertical axis and 40° on the horizontal axis

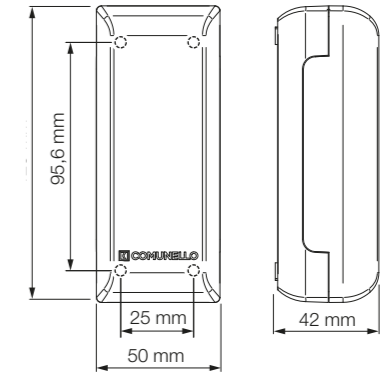


Cable passage arranged both at the bottom and at the rear of the photocell.

# DART ADJUSTABLE BATTERY

New generation outdoor battery-powered adjustable photocells, painted finish

- Protection:** Electronics protected by a preassembled gasket on a dedicated housing.
- Simplicity and ease of installation:** Cable passage arranged both at the bottom and at the rear of the photocell. Large space dedicated to wiring.
- Design:** New attractive design with no visible screws
- Adjustment:** Transmitter and receiver can rotate 180° on the vertical axis and 20° on the horizontal axis. The slotted holes allow adjustment of the position even after installation
- Duration:** High quality plastic material with anti-UV additives and embossed painting



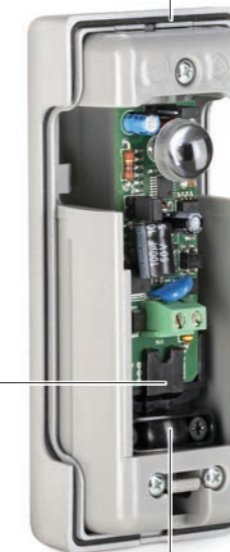
Product description	Product code	Article	Voltage	Control unit	Encoder	Radio receiver	Weight	Quantity per pallet	Quantity per box	Product price
<b>DART BATTERY</b>	GDARTBTTN0B00A	Pair of battery-operated adjustable photocells with capacity up to 18 m	12V / 24V	IP 54	18m	1 Kit	0,30 kg			

A pre-assembled gasket protects the electronics from any entry of insects or water.

The 4 slotted holes allow adjustment of the position even after installation

Large space dedicated to wiring

Transmitter and receiver can rotate 180° on the vertical axis and 40° on the horizontal axis



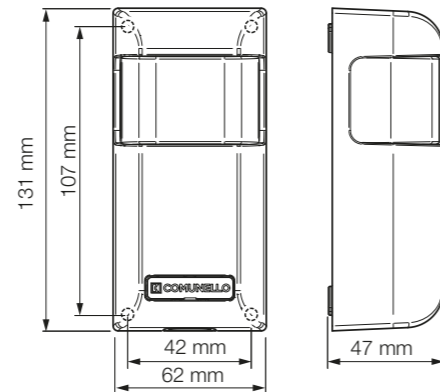
Cable passage arranged both at the bottom and at the rear of the photocell.



# DART ADJUSTABLE INDUSTRIAL

Adjustable photocells for industrial gates with a range of up to 30 m

- Protection:** Electronics protected by a preassembled gasket on a dedicated housing.
- Simplicity and ease of installation:** Cable passage arranged both at the bottom and at the rear of the photocell. Large space dedicated to wiring.
- Design:** New attractive design with no visible screws
- Adjustment:** Transmitter and receiver can rotate 180° on the vertical axis and 20° on the horizontal axis  
The slotted holes allow adjustment of the position even after installation
- Anti-vandalism:** The structure of the photocell completely in die-cast aluminum guarantees high strength and resistance.



Product description	Product code	Article	Voltage	IP	Range	Control unit	Weight
DART INDUSTRIAL	GDARTINDN0B00	Pair of adjustable photocells with range up to 30 m	12V / 24V	IP 55	30m	1 Kit	0,60 kg

A pre-assembled gasket protects the electronics from any entry of insects or water.

Structure completely in die-cast aluminum

The 4 slotted holes allow adjustment of the position even after installation

Large space dedicated to wiring

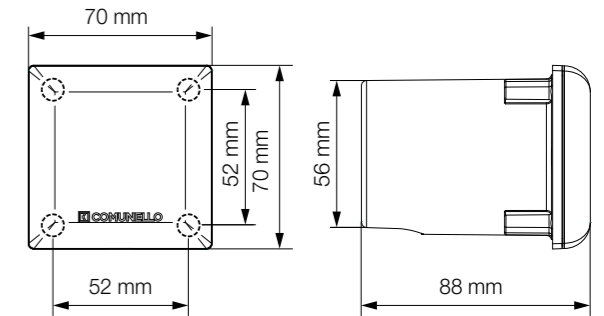
Transmitter and receiver can rotate 180° on the vertical axis and 20° on the horizontal axis

Cable passage arranged both at the bottom and at the rear of the photocell.

# DART INSERT

New generation recessed wall photocells

- Protection:** Electronics protected by a preassembled gasket on a dedicated housing.
- Simplicity and ease of installation:** Cable passage arranged both at the bottom and at the rear of the photocell. Large space dedicated to wiring.
- Design:** New attractive design with no visible screws
- Adjustment:** The slotted holes allow adjustment of the position even after installation
- Duration:** High quality plastic material with anti-UV additives and embossed painting



Product description	Product code	Article	Voltage	IP	Range	Control unit	Weight
DART INSERT	GDARTINSN0B00	Pair of recessed wall photocells, adapter bowl included	12V / 24V	IP 54	15m	1 Kit	0,20 kg

Product description	Product code	Article	Control unit	Weight
G-BOX	GBOXUNSTD0B00	Adapter bowl DART INSERT	20	0,025 kg

Slotted pre-holes allow adjustment of the position even after installation

A pre-assembled gasket protects the electronics from any entry of insects or water. This gasket also separates the card from the 4 fixing screws and the cable passage.

Large space dedicated to wiring

# DART COVER



## DART COVER

Vandalism protection in die-cast aluminum for:

- DART
- DART SYNC

COVER VANDAL PROOF	0101	Anti-vandalism DART photocell covers	1 Kit	0,15 Kg



## DART COVER SLIM

Vandalism protection in die-cast aluminum for:

- DART SLIM
- DART SLIM SYNC

COVER VANDAL PROOF SLIM	0101	Anti-vandalism DART SLIM photocell covers	1 Kit	0,15 Kg

# COLUMNS

Compatible with: DART, DART SYNC, TACT, TACT RADIO, TACT CARD, INDEX, INDEX EU

Compatible with DART SLIM, DART SLIM SYNC



**MAST 50**      **MAST 100**      **MAST TWIN**      **MAST 50 SLIM**      **MAST 100 SLIM**

MAST 50	0101
<b>MAST 50</b>	GMAST005NOG00A
<b>MAST 100</b>	GMAST010NOG00A
<b>MAST 100 TWIN</b>	GMASTT10NOG00A

MAST SLIM 50	0101
<b>MAST SLIM 50</b>	GMASTS05NOG00A
<b>MAST SLIM 100</b>	GMASTS10NOG00A

# NEW TACT

Complete range of New generation security accessories

Protection  
Design  
Comfort  
Simplicity  
Reliability  
Lighting  
Duration  
Technology

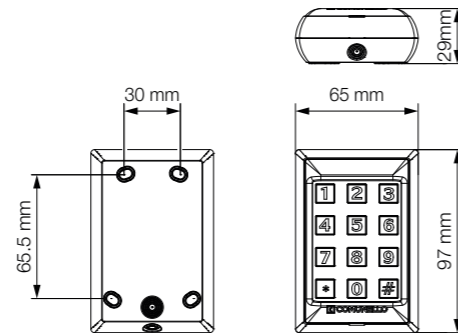


Digital keyboard selector in die-cast aluminum, up to 250 codes storable

- Protection:** Electronics protected by a preassembled gasket on a dedicated housing.
- Comfort:** Keys with backlit numbers clearly visible in the dark.
- Simplicity and ease of installation:** Cable passage arranged both at the bottom and at the rear of the keyboard. Large space dedicated to wiring.
- Design:** New attractive design with no visible screws
- Adjustment:** The slotted holes allow adjustment of the position even after installation
- Durability:** Structure completely in die-cast aluminum



Available from 2021



Product description	Product code	Article	Voltage	IP	Control unit	Encoder	Radio receiver	Weight	Quantity per pallet	Quantity per box	Product price
TACT	GTACTSTDN0B00A	Digital keyboard selector, in aluminum (working via TACT DEC)	24 VDC/VAC	54	1			0,35 Kg			

A pre-assembled gasket protects the electronics from any entry of insects or water.

Gasket to protect the keyboard selector.

The 4 slotted holes allow adjustment of the position even after installation

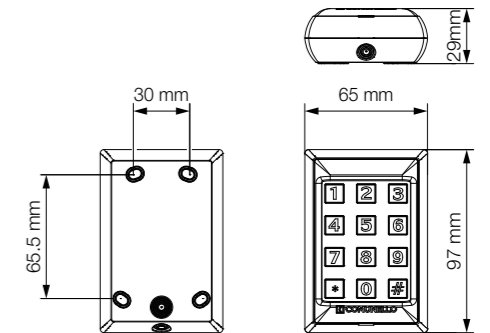


Structure completely in die-cast aluminum

Cable passage arranged both at the bottom and at the rear of the photocell.

Digital keyboard selector, radio version

- Protection:** Electronics protected by a preassembled gasket on a dedicated housing.
- Comfort:** Keys with backlit numbers clearly visible in the dark.
- Simplicity and ease of installation:** Cable passage arranged both at the bottom and at the rear of the keyboard. Large space dedicated to wiring.
- Design:** New attractive design with no visible screws
- Adjustment:** The slotted holes allow adjustment of the position even after installation
- Durability:** High quality plastic material with anti-UV additives and embossed painting
- Smart:** Up to 10 codes that can be memorized with the possibility of canceling and reprogramming the single code.



Product description	Product code	Article	Voltage	IP	Control unit	Encoder	Radio receiver	Weight	Quantity per pallet	Quantity per box	Product price
TACT RADIO	GTACTRADN0B00A	Digital keyboard selector, radio	24 VDC/VAC	54	1			0,15 Kg			

A pre-assembled gasket protects the electronics from any entry of insects or water.

Gasket to protect the keyboard selector.

The 4 slotted holes allow adjustment of the position even after installation



Structure in unshielded plastic material with anti-UV additives

Cable passage arranged both at the bottom and at the rear of the photocell.

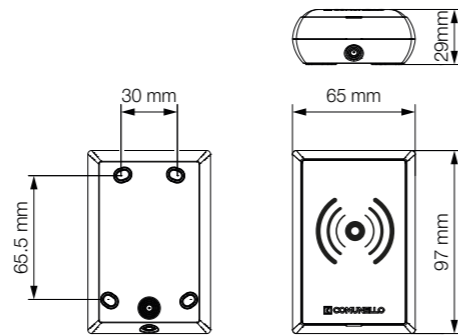
# TACT CARD

Digital transponder selector in die-cast aluminum, up to 250 memorable cards / tokens



Available from 2021

- Protection:** Electronics protected by a preassembled gasket on a dedicated housing.
- Simplicity and ease of installation:** Cable passage arranged both at the bottom and at the rear of the selector. Large space dedicated to wiring.
- Design:** New attractive design with no visible screws
- Adjustment:** The slotted holes allow adjustment of the position even after installation
- Durability:** Structure completely in die-cast aluminum



<b>TACT CARD</b>	GTACTCARN0B00A	Digital transponder selector in aluminum (working via TACT DEC)	24 VDC/VAC	54	1	0,27 Kg

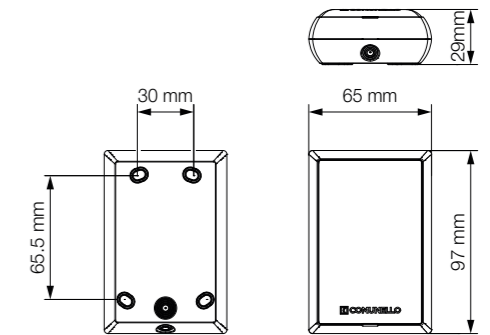
# TACT DEC

2 channels decoder for TACT / TACT-CARD

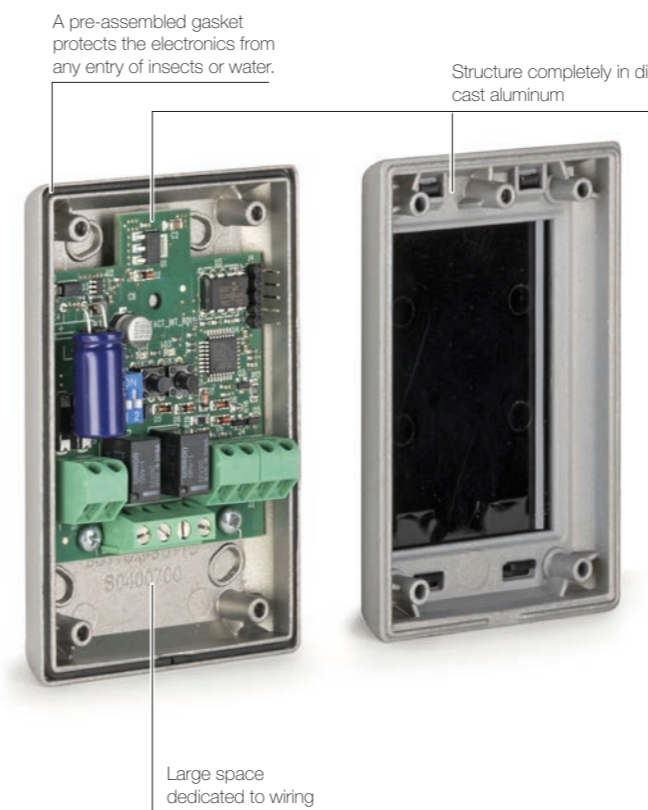
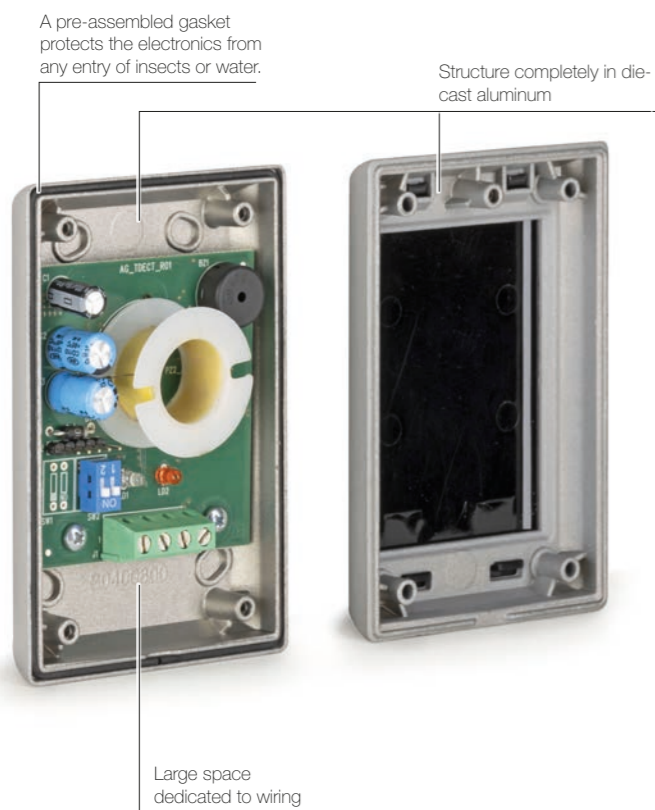


Available from 2021

- Protection:** Electronics protected by a preassembled gasket on a dedicated housing.
- Simplicity and ease of installation:** Cable passage arranged both at the bottom and at the rear of the keyboard. Large space dedicated to wiring.
- Design:** New attractive design with no visible screws
- Adjustment:** The slotted holes allow adjustment of the position even after installation
- Durability:** Structure completely in die-cast aluminum



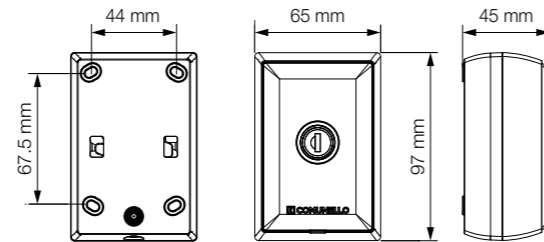
<b>TACT DEC</b>	GTACTDECN0B00A	Decoder for TACT / TACT-CARD	24 VDC/VAC	54	1	0,27 Kg



## Key selector



- Protection:**  
Electronics protected by a preassembled gasket on a dedicated housing.
- Simplicity and ease of installation:**  
Cable passage arranged both at the bottom and at the rear of the selector. Large space dedicated to wiring.
- Design:**  
New attractive design with no visible screws
- Adjustment:**  
The slotted holes allow adjustment of the position even after installation
- Strength:**  
Structure completely in die-cast aluminum



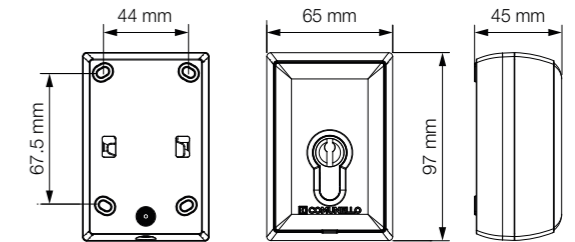
INDEX	GINDEXSTN0B00A	Key selector with standard cylinder	54	1	0,28 Kg



## Key selector with European cylinder



- Protection:**  
Electronics protected by a preassembled gasket on a dedicated housing.
- Simplicity and ease of installation:**  
Cable passage arranged both at the bottom and at the rear of the keyboard. Large space dedicated to wiring.
- Design:**  
New attractive design with no visible screws
- Adjustment:**  
The slotted holes allow adjustment of the position
- Strength:**  
Structure completely in die-cast aluminum



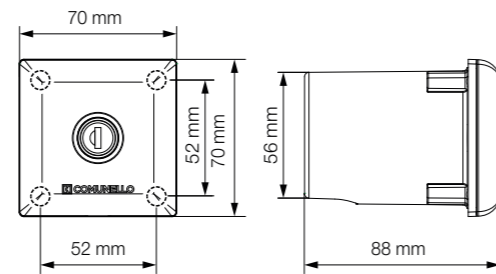
INDEX EU	GINDEXEUN0B00A	Key selector with European cylinder	54	1	0,36 Kg



# INDEX INSERT

## Recessed wall key selector

- Protection:**  
Electronics protected by a preassembled gasket on a dedicated housing.
- Simplicity and ease of installation:**  
Cable passage arranged both at the bottom and at the rear of the selector.  
Large space dedicated to wiring.
- Design:**  
New attractive design with no visible screws
- Adjustment:**  
The slotted holes allow adjustment of the position
- Strength:**  
Structure completely in die-cast aluminum

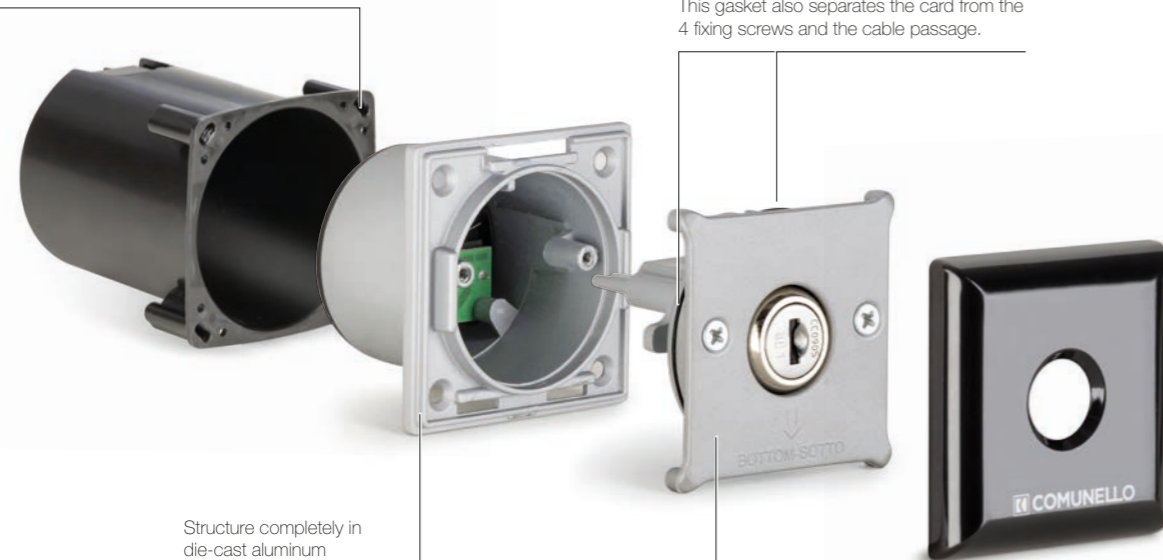


INDEX INSERT	GINSEXSTN0B00	Recessed wall key selector, adapter bowl included	IP 54	1	0,33 Kg

G-BOX	GBOXUNSTD0B00	Adapter bowl INDEX INSERT	20	0,025 kg

The slotted holes allow adjustment of the position even after installation

A pre-assembled gasket protects the electronics from any entry of insects or water. This gasket also separates the card from the 4 fixing screws and the cable passage.

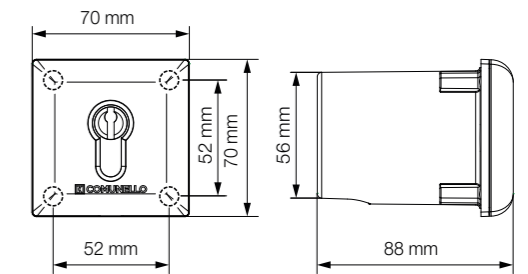


Structure completely in die-cast aluminum

# INDEX INSERT EURO

## Recessed wall key selector with European cylinder

- Protection:**  
Electronics protected by a preassembled gasket on a dedicated housing.
- Simplicity and ease of installation:**  
Cable passage arranged both at the bottom and at the rear of the selector.  
Large space dedicated to wiring.
- Design:**  
New attractive design with no visible screws
- Adjustment:**  
The slotted holes allow adjustment of the position
- Strength:**  
Structure completely in die-cast aluminum

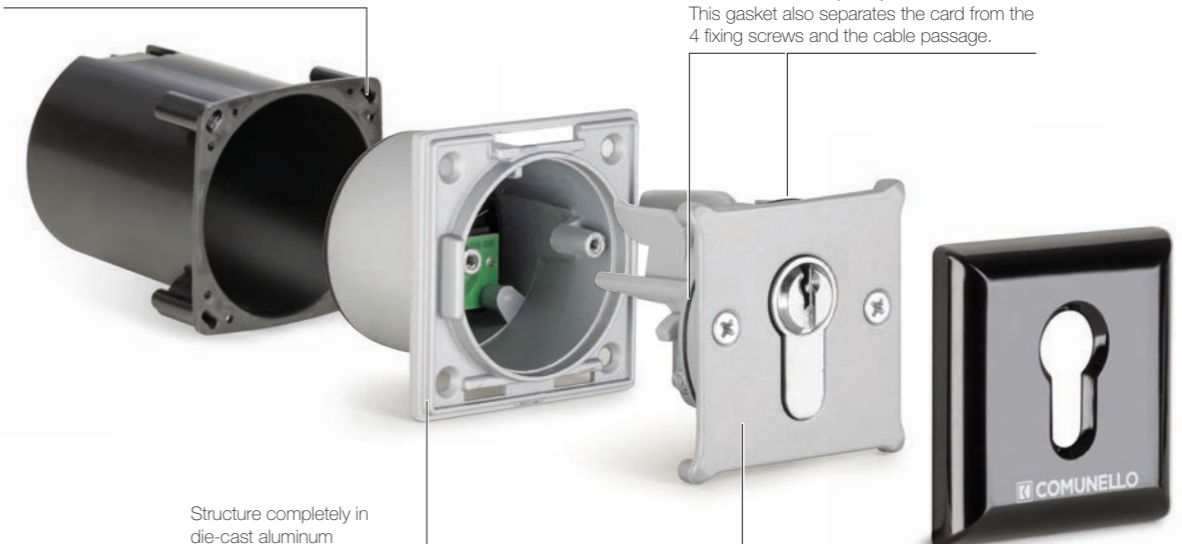


INDEX INSERT EU	GINSEXEU0B00	Recessed wall key selector with European cylinder adapter bowl included	IP 54	1	0,45 Kg

G-BOX	GBOXUNSTD0B00	Adapter bowl INDEX INSERT	20	0,025 kg

The slotted holes allow adjustment of the position even after installation

A pre-assembled gasket protects the electronics from any entry of insects or water. This gasket also separates the card from the 4 fixing screws and the cable passage.



Structure completely in die-cast aluminum

## Complementary accessories



### TACT BADGE

Compatible with: TACT CARD

▶	0101	☰	📦	⚖️
TACT-BADGE	GTACTCRDN0B00	Badge for TACT CARD	10	0,06 Kg



### TACT TOKEN

Compatible with: TACT CARD

▶	0101	☰	📦	⚖️
TACT-TOKEN	GTACTTKNN0B00	TOKEN for TACT CARD	10	0,06 Kg







Xi

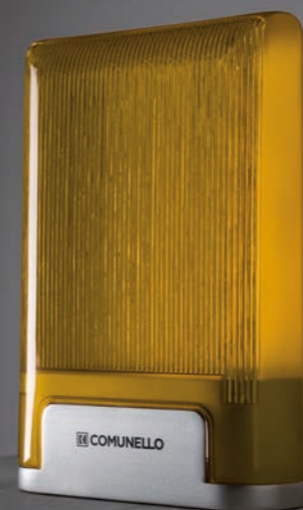
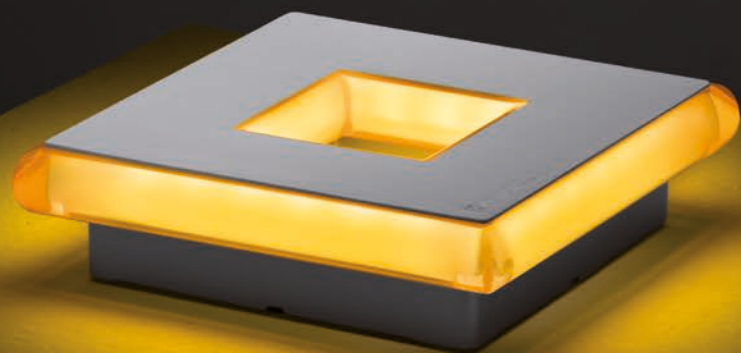
Designed by Patrick Casey

The first  
truly original  
signal light

Swift

Designed by Patrick Casey

A new classic,  
timeless design  
timeless installation



MY2020  
accessories

## New generation led flashing light

### Simplicity and ease of installation:

The flashing light can be installed both on the wall and horizontally. Ample space dedicated to wiring.

### Design:

**New captivating design:** Ixi stands out for its ultra-original and futuristic design. Its perfect geometry diffuses light in an excellent way.

### Adjustment:

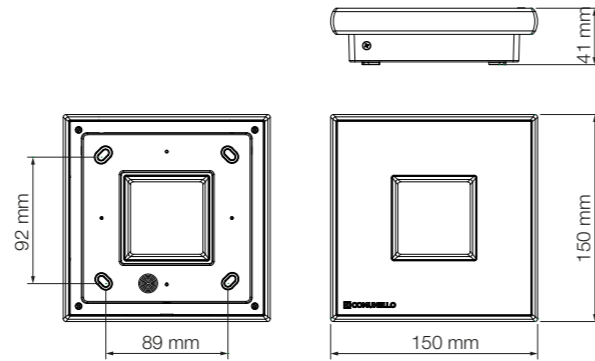
The slotted holes allow adjustment of the position even after installation

### Durability:

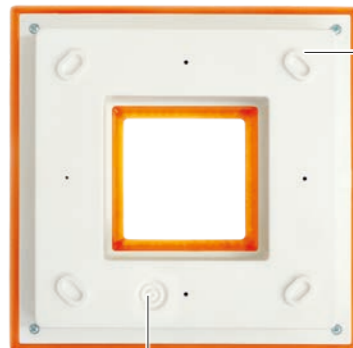
The board is protected by a painting against possible condensation or contact with insects. External stainless steel screws.

### Protection:

The internal board is completely isolated both from the inside and outside of the flashing light.



IXI	GIILEDSTLYB00	Led flashing light 24 VDC	24V	IP 44	1	0,35 Kg



The 4 slotted holes allow adjustment of the position even after installation

Cable passage arranged in the lower part, not in view

The flashing light can be installed both on the wall and horizontally.



## New generation led flashing light

### Simplicity and ease of installation:

Extremely simple to install thanks to the easy access to the connection area, it can be powered at both 24Vdc and 230Vac. The flashing light can be installed both on the wall and horizontally.

### Design:

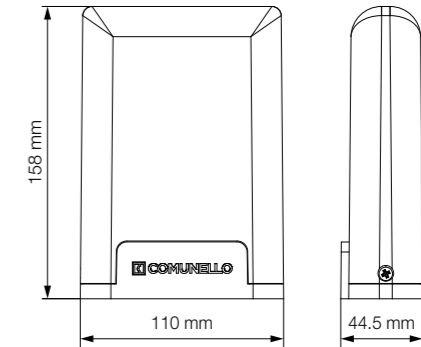
**New captivating design:** The Swift range is inspired by the concept of pure and discreet lines of the classic flashing warning lights.

### Durability:

The board is protected by a painting against possible condensation or contact with insects. External stainless steel screws.

### Bus Technology:

The bus technology allows you to name and manage the single flashing light.



SWIFT	GSWIFTSTLYB00A	Led flashing light 24 VDC / 230VAC	24V / 230V	IP 54	1	0,25 Kg

Integrated antenna



Card power supply both 24V and 230V

The flashing light can be installed both on the wall and horizontally, without need of additional brackets.



Cable passage arranged both at the bottom and at the rear of the flashing light.




# REMOTE CONTROLS



## VICTOR

 <b>2 CHANNELS ROLLING CODE</b>	<b>VICTOR - 2 RC</b>	■	Remote control, rolling code, 2 channels, grey	GVCTR2STN0G00	1 0,02 kg
	<b>VICTOR - 2 RC</b>	■	Remote control, rolling code, 2 channels, blue	GVCTR2STN0L00	1 0,02 kg
	<b>VICTOR - 2 RC</b>	■	Remote control, rolling code, 2 channels, red	GVCTR2STN0R00	1 0,02 kg
	<b>VICTOR - 2 RC</b>	■	Remote control, rolling code, 2 channels, green	GVCTR2STN0V00	1 0,02 kg
	<b>VICTOR - 2 RC</b>	■	Remote control, rolling code, 2 channels, yellow	GVCTR2STN0Y00	1 0,02 kg
 <b>2 CHANNELS FIXED CODE</b>	<b>VICTOR - 2 SYNC</b>	■	Remote control, fixed code with self learning copy, 2 channels, grey	GVCTR2SYN0G00	1 0,02 kg
	<b>VICTOR - 2 SYNC</b>	■	Remote control, fixed code with self learning copy, 2 channels, blue	GVCTR2SYN0L00	1 0,02 kg
	<b>VICTOR - 2 SYNC</b>	■	Remote control, fixed code with self learning copy, 2 channels, red	GVCTR2SYN0R00	1 0,02 kg
	<b>VICTOR - 2 SYNC</b>	■	Remote control, fixed code with self learning copy, 2 channels, green	GVCTR2SYN0V00	1 0,02 kg
	<b>VICTOR - 2 SYNC</b>	■	Remote control, fixed code with self learning copy, 2 channels, yellow	GVCTR2SYN0Y00	1 0,02 kg
 <b>4 CHANNELS ROLLING CODE</b>	<b>VICTOR - 4 RC</b>	■	Remote control, rolling code, 4 channels, grey	GVCTR4STN0G00	1 0,02 kg
	<b>VICTOR - 4 RC</b>	■	Remote control, rolling code, 4 channels, blue	GVCTR4STN0L00	1 0,02 kg
	<b>VICTOR - 4 RC</b>	■	Remote control, rolling code, 4 channels, red	GVCTR4STN0R00	1 0,02 kg
	<b>VICTOR - 4 RC</b>	■	Remote control, rolling code, 4 channels, green	GVCTR4STN0V00	1 0,02 kg
	<b>VICTOR - 4 RC</b>	■	Remote control, rolling code, 4 channels, yellow	GVCTR4STN0Y00	1 0,02 kg
 <b>4 CHANNELS FIXED CODE</b>	<b>VICTOR - 4 SYNC</b>	■	Remote control, fixed code with self learning copy, 4 channels, grey	GVCTR4SYN0G00	1 0,02 kg
	<b>VICTOR - 4 SYNC</b>	■	Remote control, fixed code with self learning copy, 4 channels, blue	GVCTR4SYN0L00	1 0,02 kg
	<b>VICTOR - 4 SYNC</b>	■	Remote control, fixed code with self learning copy, 4 channels, red	GVCTR4SYN0R00	1 0,02 kg
	<b>VICTOR - 4 SYNC</b>	■	Remote control, fixed code with self learning copy, 4 channels, green	GVCTR4SYN0V00	1 0,02 kg
	<b>VICTOR - 4 SYNC</b>	■	Remote control, fixed code with self learning copy, 4 channels, yellow	GVCTR4SYN0Y00	1 0,02 kg
	<b>RADIO RECEIVER 433</b>		Radio receiver, 2 channels, 433 MHz	GRESIVERNOG00	1 0,20 kg

## VICTOR

 <p>2 CHANNELS ROLLING CODE 868,46 MHZ</p>	<b>VICTOR - 868 - 2 RC</b> ■	Remote control, rolling code, 2 channels, 868,46 MHz, grey	GVCTR2S8N0G00	1	0,02 kg
	<b>VICTOR - 868 - 2 RC</b> ■	Remote control, rolling code, 2 channels, 868,46 MHz, blue	GVCTR2S8N0L00	1	0,02 kg
	<b>VICTOR - 868 - 2 RC</b> ■	Remote control, rolling code, 2 channels, 868,46 MHz, red	GVCTR2S8N0R00	1	0,02 kg
	<b>VICTOR - 868 - 2 RC</b> ■	Remote control, rolling code, 2 channels, 868,46 MHz, green	GVCTR2S8N0V00	1	0,02 kg
	<b>VICTOR - 868 - 2 RC</b> ■	Remote control, rolling code, 2 channels, 868,46 MHz, yellow	GVCTR2S8N0Y00	1	0,02 kg
 <p>4 CHANNELS ROLLING CODE 868,46 MHZ</p>	<b>VICTOR - 868 - 4 RC</b> ■	Remote control, rolling code, 4 channels, 868,46 MHz, grey	GVCTR4S8N0G00	1	0,02 kg
	<b>VICTOR - 868 - 4 RC</b> ■	Remote control, rolling code, 4 channels, 868,46 MHz, blue	GVCTR4S8N0L00	1	0,02 kg
	<b>VICTOR - 868 - 4 RC</b> ■	Remote control, rolling code, 4 channels, 868,46 MHz, red	GVCTR4S8N0R00	1	0,02 kg
	<b>VICTOR - 868 - 4 RC</b> ■	Remote control, rolling code, 4 channels, 868,46 MHz, green	GVCTR4S8N0V00	1	0,02 kg
	<b>VICTOR - 868 - 4 RC</b> ■	Remote control, rolling code, 4 channels, 868,46 MHz, yellow	GVCTR4S8N0Y00	1	0,02 kg
	<b>RADIO RECEIVER 868</b>	Radio receiver, 2 channels, 868 MHz	GRESIVE8N0G00	1	0,20 kg



### KIT VICTOR

	N. 5 remote controls kit, rolling code, 2 channels, different colors	GVCTR2STN5C00	1 0,02 kg



## VICTOR 55 CARBON FINISH

 <p>2 CHANNELS</p>	<b>VICTOR 55 - 2 RC</b>	Remote control, rolling code, 2 channels, CARBON finish	GVCTR2STNCC00	1	0,02 kg
	<b>VICTOR 55 - 2 SYNC</b>	Remote control, fixed code with self learning copy, 2 channels CARBON finish	GVCTR2SYNCC00	1	0,02 kg
 <p>4 CHANNELS</p>	<b>VICTOR 55 - 4 RC</b>	Remote control, rolling code, 4 channels, CARBON finish	GVCTR4STNCC00	1	0,02 kg
	<b>VICTOR 55 - 4 SYNC</b>	Remote control, fixed code with self learning copy, 4 channels CARBON finish	GVCTR4SYNCC00	1	0,02 kg
	<b>RADIO RECEIVER 433</b>	Radio receiver, 2 channels, 433 MHz	GRESIVERNOG00	1	0,20 kg



## Accessories ONE TECHNOLOGY



### Control board - ONE TECHNOLOGY

	<b>QUAD-ONE-24-1M</b>	Control board 1 motor 24 V, One Technology	G1QUAD1MLOG00	1	3,92 kg
	<b>QUAD-ONE-24-2M</b>	Control board 2 motors 24 V, One Technology	G1QUAD2MLOG00	1	4,25 kg
	<b>K-ONE</b>	Wi-Fi connection key, One Technology	G1KEYWIFLOG00	1	0,10 kg

### Accessori - ONE TECHNOLOGY

	<b>DART ONE</b>	Couple of photocells, One Technology	G1DARTSTNOB00	1	0,15 kg
	<b>DART-SLIM ONE</b>	Rx + tx photocell One Technology	G1DARTSLNOB00	1	0,12 kg
	<b>AC-51</b>	Back-up batteries, One Technology	G1BATTERLOG00	1	1,30 Kg
	<b>INDEX ONE</b>	Standard key operated switch, One Technology	G1INDEXSTOB00	1	0,25 kg
	<b>KIT INDEX ONE</b>	Standard key operated switch - Kit no.2 pieces with the same cylinder, One Technology	G1INDEXSD0B00	1	0,50 kg
	<b>SWIFT ONE Y</b>	Flashing LED signal light 24V, One Technology, yellow	G1SWIFTSTYB00	1	0,26 kg
	<b>I/O ONE</b>	Interface I/O ONE	G1INTERFLOB00	1	0,50 kg
	<b>AC-35</b>	Signal amplifier for 433 MHz remote controls	GAMPLANTLOG00	1	0,2 kg

## Accessories ONE TECHNOLOGY



### Columns for ONE TECHNOLOGY accessories

	<b>MAST 50</b>	Extruded aluminium column for DART, H = 50 cm	GMAST005NOG00	1	2,20 kg
	<b>MAST SLIM 50</b>	Extruded aluminium column for DART SLIM, H = 50 cm	GMASTS05NOG00	1	2,00 kg
	<b>MAST 100</b>	Extruded aluminium column for DART, H = 100 cm	GMAST010NOG00	1	2,1 kg
	<b>MAST 100 TWIN</b>	Extruded aluminium column for 2 accessories, H = 100 cm	GMASTT10NOG00	1	2,0 kg
	<b>MAST SLIM 100</b>	Extruded aluminium column for DART SLIM, H = 100 cm	GMASTS10NOG00	1	2,1 kg
	<b>FIXING KIT MAST</b>	Column fixing KIT MAST	GROD4M08NOG00	1	0,9 kg
	<b>FIXING KIT MAST SLIM</b>	Column fixing KIT MAST SLIM	GROD4S08NOG00	1	0,9 kg
	<b>AC-30-433</b>	Outdoor antenna 433 MHz	GANTENNAN0G00	1	0,2 kg
	<b>AC-30-868</b>	Outdoor antenna 868 MHz	GANTENNAN8G00	1	0,2 kg

## Accessories

	<b>QUAD-24V-HP</b>	Centrale 24V, HP, 1 o 2 motori	GQUADHP2LOG00	1pz	3,7 Kg
	<b>QUAD-230V-HP</b>	Centrale 230V, HP, 1 o 2 motori	GQUADHP2H0G00	1pz	3,1 Kg
	<b>SWIFT</b>	Lampeggiante a LED 24V - 230, giallo	GSWIFTSTLYB00A	1	0,26 kg
	<b>IXI</b>	Lampeggiante a LED 24V, giallo	GSWIFTSTLWB00	1	0,26 kg
	<b>DART</b>	Couple of photocells	GDARTSTDNOB00A	1 kit	0,15 kg
	<b>DART SYNC</b>	Couple of photocells, slim synchronized version	GDARTSTDN1B00A	1 kit	0,15 kg
	<b>DART COVER</b>	Vandalism protection in die-cast aluminum for: DART, DART SYNC	GCVRDSTD0S00	1 kit	0,15 kg
	<b>DART-SLIM</b>	Couple of photocells, slim version	GDARTSLMNOB00A	1 kit	0,12 kg
	<b>DART SLIM SYNCRO</b>	Couple of adjustable photocells	GDARTSLMN1B00A	1 kit	0,12 kg
	<b>DART COVER SLIM</b>	Vandalism protection in die-cast aluminum for: DART SLIM, DART SLIM SYNC	GCVRDSSSTD0S00	1 kit	0,15 kg

## Accessories

	<b>DART ADJUSTABLE</b>	Couple of adjustable photocells	GDARTADJNOB00A	1 kit	0,25 kg
	<b>DART ADJUSTABLE SYNC</b>	Pair of adjustable photocells, synchronized version with range up to 15 m	GDARTADJN1B00A	1 kit	0,25 kg
	<b>DART ADJUSTABLE BATTERY</b>	Couple of adjustable photocells, with battery	GDARTBTTNOB00	1 kit	0,20 kg
	<b>DART ADJUSTABLE INDUSTRIAL</b>	Pair of adjustable photocells with range up to 30 m	GDARTINDNOB00	1 kit	0,60 kg
	<b>G-BOX</b>	Adapter bowl for DART INSERT, INDEX INSERT/ INDEX INSERT EU	GBOXUNSTD0B00	20	0,025 kg
	<b>DART INSERT</b>	Pair of recessed wall photocells	GDARTINSNOB00	1 Kit	0,20 kg
	<b>TACT</b> <small>*New TACT: available from 2021</small>	New digital switch with keypad	GTACTSTDNOB00A	1	0,39 kg
		Digital switch with keypad	GTACTSTDNOB00	1	0,39 kg
	<b>TACT RADIO</b>	Digital switch with radio-controller keypad	GTACTRADNOB00	1	0,08 kg
	<b>TACT CARD</b> <small>*New TACT CARD: available from 2021</small>	New digital switch with transponder	GTACTCARNOB00A	1	0,30 kg
		Digital switch with transponder	GTACTCARNOB00	1	0,20 kg
	<b>TACT BADGE</b>	Badge for Tact Card	GTACTCRDNOB00	10	0,06 kg
	<b>TACT TOKEN</b>	Token for Tact Card	GTACTTKNNOB00	10	0,06 kg

## Accessories

	<b>TACT DEC</b> <small>*New TACT DEC: available from 2021</small>	New decoder for TACT / TACT-CARD	GTACTION0B00A	1	0,08 kg
		Decoder for TACT / TACT-CARD	GTACTION0B00	1	0,08 kg
	<b>INDEX</b>	Standard key operated switch	GINDEXSTNOB00	1	0,25 kg
	<b>KIT INDEX</b>	Standard key operated switch - Kit no.2 pieces with the same cylinder	GINDEXSTDOB00	1	0,50 kg
	<b>INDEX EU</b>	European key operated switch	GINDEXEUNOB00	1	0,37 kg
	<b>INDEX INSERT</b>	Recessed wall key selector	GDARTINSNOB00	1	0,20 kg
	<b>INDEX INSERT EU</b>	Recessed wall key selector with European cylinder	GINSEXEUNOB00	1	0,45 Kg

## Accessories

	<b>MAST 50</b>	Extruded aluminium column for DART, H = 50 cm	GMAST005NOG00A	1	2,20 kg
	<b>MAST SLIM 50</b>	Extruded aluminium column for DART SLIM, H = 50 cm	GMASTS05NOG00A	1	2,00 kg
	<b>MAST 100</b>	Extruded aluminium column for DART, H = 100 cm	GMAST010NOG00A	1	2,1 kg
	<b>MAST 100 TWIN</b>	Extruded aluminium column for 2 accessories, H = 100 cm	GMASTT10NOG00A	1	2,0 kg
	<b>MAST SLIM 100</b>	Extruded aluminium column for DART SLIM, H = 100 cm	GMASTS10NOG00A	1	2,1 kg
	<b>AC-850</b>	Column fixing KIT MAST NEW	GMASTKIT00Z02	1	0,9 kg
	<b>AC-860</b>	Column fixing KIT MAST NEW SLIM	GMASTKIT00Z01	1	0,9 kg

## Accessories

	<b>AC-50</b>	Back-up batteries	GBATTERYLOG00	1	1,30 kg
	<b>AC-52</b>	Back-up batteries - RAMPART series	G2BATTERLOG00	1	1,40 kg
	<b>AC-40</b>	Safety signage table	GSAFETYTNOG00	1	0,05 kg
	<b>AC-30-433</b>	Outdoor antenna 433 MHz	GANTENNANOG00	1	0,2 kg
	<b>AC-30-868</b>	Outdoor antenna 868 MHz	GANTENNAN8G00	1	0,2 kg
	<b>AC-240</b>	Inductive sensor	GINDUCTONOG00	1	0,28 kg
	<b>AC-269 m L= 1600</b>	Pressure sensitive safety trim, L = 1600 mm	GB01SENS16B00	1	2,10 kg
	<b>AC-269 m L= 2000</b>	Pressure sensitive safety trim, L = 2000 mm	GB01SENS20B00	1	2,00 kg
	<b>AC-269 m L= 2500</b>	Pressure sensitive safety trim, L = 2500 mm	GB01SENS25B00	1	3,20 kg
	<b>AC-269 8K2 L= 1600</b>	Pressure sensitive safety trim, with 8.2 kΩ resistance, L = 1600 mm	GB02SENS16B00	1	1,70 kg
	<b>AC-269 8K2 L= 2000</b>	Pressure sensitive safety trim, with 8.2 kΩ resistance, L = 2000 mm	GB02SENS20B00	1	2,00 kg
	<b>AC-269 8K2 L= 2500</b>	Pressure sensitive safety trim, with in-bildtu 8.2 kΩ resistance, L = 2500 mm	GB02SENS25B00	1	2,30 kg
	<b>AC-269 INT</b>	Control board to wire up to 4 safety trim with resistance	GINTERBS00B00	1	0,1 kg

## Accessories

	<b>AC-10</b>	12V Horizontal electric lock (compatible with CU 230 HP)	GINDEXORMOG00	1	1,7 kg
	<b>AC-11</b>	24V Horizontal electric lock (compatible with CU 24 HP)	GINDEXORM1G00	1	1,7 kg
	<b>AC-20</b>	12V Vertical electric lock (compatible with CU 230 HP)	GINDEXVRMOG00	1	1,4 kg
	<b>AC-21</b>	24V Vertical electric lock (compatible with CU 24 HP)	GINDEXVRM1G00	1	1,4 kg
	<b>AC-110</b>	Key operated emergency release	GCRO01SCNOG00	1	1,2 kg
	<b>AC-120</b>	Kit cable release for traction slide L = 2,5 m	GCORD025N0B00	1	0,2 kg
	<b>AC-130</b>	Kit cable release for traction slide L = 9 m	GCORD090N0B00	1	0,7 kg



# GENERAL TERMS OF SALE

## 1. GENERAL INFORMATION

1.1 This document is intended for customers (hereinafter "Customers") of FRATELLI COMUNELLO SPA (hereinafter simply COMUNELLO); its purpose is to inform customers about the contractual conditions that COMUNELLO shall apply in all the sales of its products (hereinafter GENERAL TERMS AND CONDITIONS OF SALE), unless otherwise agreed in writing, and which, in any case, are binding on and effective between the parties pursuant to art. 1341 of the Italian Civil Code.

1.2. COMUNELLO applies the Italian law in all contractual relationships involving the sale of its products, save for any specific derogations to be agreed and proved in writing.

1.3 The General Terms and Conditions of Sale listed here exclusively refer to products bearing the COMUNELLO trademark (hereinafter the "Products").

## 2. OFFERS – QUOTES

2.1 The offers made by COMUNELLO to its Customers are effective for a maximum period of 20 (twenty) days from their submission; in any case they will have to be formalized in writing, including by email.

2.2. Upon expiry of the aforementioned deadline, the offer made by COMUNELLO shall be deemed cancelled and not acceptable by the CUSTOMER, unless otherwise specifically agreed in writing between the contracting parties

## 3. ORDERS

3.1 Purchase orders signed by the Customers and addressed to Comunello must be confirmed using the specific form prepared by Comunello (order confirmation), which each Customer has to sign and return to Comunello, precisely specifying the quantity of the goods bought and any additional features of the requested products.

3.2 The purchase contract shall be considered finalized and binding on the parties by means of:

- a) confirmation of the purchase order by FRATELLI COMUNELLO SPA;
- b) physical execution of the purchase order by FRATELLI COMUNELLO SPA, provided it is in compliance with the contents of the sale entered into between the parties.

3.3 Any amendment or addition to the individual provisions of the General Terms and Conditions of Sale or to the purchase order shall be ineffective unless approved in writing by COMUNELLO SPA. In the event changes are made to the purchase order after sending the form specified in paragraph 3.1., they shall have no effect if in the meantime Comunello has accepted the order or has implemented it in part; in any event, Comunello reserves the right to cancel the original purchase order and to suspend performance of the current one, requesting damages.

3.4 The Product delivery date specified in the purchase orders is always indicative and any delay of up to 30 days with respect to such deadline shall never constitute grounds for the CUSTOMER to claim damages against Comunello or to terminate the contractual relationship. More specifically, Comunello reserves the right to extend the delivery date due to unforeseeable circumstances or force majeure or in any case for circumstances that could not be foreseen at the time of the sale (for example, difficulty in procurement of raw materials and components); if prior to delivery, the CUSTOMER is in a difficult financial situation or changes its legal form, Comunello shall be entitled to suspend performance of, and possibly terminate the contract.

## 4. DELIVERY AND SHIPPING

4.1 The Products are delivered to the Customer at the production site or at the registered office of Comunello (hereinafter "Delivery").

4.2 If the Products are delivered Ex-works Rosà or Cassola (VI) Incoterms 2020, the risk is transferred upon delivery of the Products by FRATELLI COMUNELLO SPA to the Customer or to the carrier, the CUSTOMER being in charge of the transportation costs.

4.3 Unless otherwise agreed, FRATELLI COMUNELLO SPA shall

establish, in the name and on behalf of the Customer, the type of shipment, the transport route and the carrier.

4.4 FRATELLI COMUNELLO SPA reserves the right to partially fulfil the purchase order or to partially deliver the products ordered. The Customer cannot raise any objection with regard to partial deliveries and/or deliveries made by instalments. All Partial deliveries shall be invoiced individually and the paMYent time limits shall run from the date of each invoice. The paMYent of partial Deliveries may not be deferred until completion of all the Deliveries related to the original purchase order. The provisions of Article 4.1 shall also apply to partial deliveries.

## 5. PRICES AND PRICE LISTS

5.1 The price is as specified in the last Comunello price list for the products delivered to the Customer, including normal packaging and excluding shipping costs (hereinafter the "Price"). The last price list issued by FRATELLI COMUNELLO SPA cancels all previous price lists and, unless otherwise agreed, it shall be applicable to the sale.

## 6. PAMYENT

6.1 PaMYent of the Price has to be made within the time limit agreed between the contracting parties. Failure to pay the price within the agreed time limit shall result in the application of interest for late paMYent in commercial transactions, to the extent provided by Legislative Decree No. 231 of 9.10.2002 as amended and supplemented. Default interest shall run from the expiry of the paMYent due date, subject to COMUNELLO's right to seek compensation for any further damage.

6.2 The Customer may not make claims or raise objections against Comunello until the Price has been paid.

6.3 In the event of irregular paMYents, Comunello reserves the right to suspend the performance of all purchase orders, including those not affected by the delay or default by the CUSTOMER, without notice and with no right to compensation for the CUSTOMER.

## 7. RETURNS AND COMPLAINTS

7.1 Any complaints referring to either the quantity or the quality of the delivered Products must be made in writing within 8 (eight) days from receipt of the Products.

7.2 The Products returned shall be accepted by FRATELLI COMUNELLO SPA only after written agreement and exclusively with regard to new Products with their original packaging.

7.3 The Products must be returned using the appropriate transport document specifying the written permission of FRATELLI COMUNELLO SPA as well as the quantity and quality of the Products.

7.4 Returns shall not be considered accepted by FRATELLI COMUNELLO SPA unless they are returned in the manner specified above and, specifically, taking delivery of the Products at the headquarters or at the warehouses of FRATELLI COMUNELLO SPA may not be construed as acceptance of the returns.

7.5 The amount credited for returns not due to causes attributable to FRATELLI COMUNELLO SPA, shall be subject to a 30% deduction, to be regarded as a flat-rate assessment of the damage (penalty clause), charged to the Customer on account of the general, shipping, goods deterioration, age etc. costs incurred by COMUNELLO.

## 8. WARRANTY

8.1 In business relationships or in case of products sold for professional use, this warranty is limited to the repair or replacement of product parts that FRATELLI COMUNELLO SPA acknowledges as defective, through equivalent re-manufactured Products (the "Conventional Warranty"); the warranty does not include the costs necessary for repairing or replacing the material (e.g. labour costs, rental of equipment etc) .-

8.2 The provisions contained in articles 1490 to 1495 of the Italian Civil Code shall not apply.

8.3 FRATELLI COMUNELLO SPA warrants the proper operation of the products within the limits indicated in 8.1 above. Unless otherwise agreed,

the validity of the Conventional Warranty is 24 (twenty four) months from the production date, which can be found on the products. For actuator of the Showin line the warranty is 60 (sixty) months from the production date, while for the remaining products of the Automation Frame Line the warranty is 36 (thirty six) months from the production date. The Warranty shall be effective and binding on COMUNELLO only if the product has been correctly installed and maintained in accordance with the installation and safety rules set out in the documentation provided by COMUNELLO or otherwise available on the website [www.comunello.com](http://www.comunello.com)

8.4 The warranty does not cover: failures or damage caused by transport; failures or damage caused by defects in the electrical system of the buyer and/or by carelessness, negligence, inadequate or abnormal use of such system; failure or damage due to tampering carried out by unauthorized personnel or due to incorrect use / installation (in this regard, system maintenance at least every six months is recommended) or the use of non-original spare parts; defects caused by chemical agents and/or atmospheric phenomena. The warranty does not cover the cost of consumables; in any event, COMUNELLO shall be entitled to a consideration for the work performed at the Customer, where such work proves useless as the warranty did not apply or because the customer had used the Comunello product in a negligent, reckless or incompetent manner, such that the proper use of the product could have avoided the work.

8.5 Implementation terms: unless otherwise agreed, the right to the Conventional Warranty is exercised by showing a copy of the purchase document (invoice) to COMUNELLO. Any defect must be notified to COMUNELLO within the time limit of thirty (30) days from detection of the defect. The action must be exercised within the limitation period of 6 (six) months from detection of the defect. The Product parts for which the Customer requests application of the Conventional Warranty must be returned by the Customer to FRATELLI COMUNELLO SPA, Via Cassola 64, 36027 Rosà (VI) Italy.

8.6 The Customer cannot claim compensation for indirect damage, loss of profits, loss of production and in any case it cannot claim compensation for an amount that exceeds the value of the supplied components or products. All transport costs for Products that have been repaired or to be repaired, although covered by the Conventional Warranty, shall be charged to the Customer.

8.7 No external work carried out by Comunello technical staff is covered by the Conventional Warranty.

8.8 Specific amendments to the Conventional Warranty conditions described herein can be defined by the parties in their commercial contracts.

## 9. REPAIRS AFTER EXPIRATION OF THE WARRANTY

9.1 The Product repairs requested by the Customer shall be carried out by FRATELLI COMUNELLO SPA, subject to prior agreement on the cost of the work. In any case, labour and transport costs (return) shall be charged to the customer.

## 10. RESERVATION OF TITLE

10.1 The Products delivered to the CUSTOMER shall continue to be the property of FRATELLI COMUNELLO SPA until full paMYent of the Price by the Customer, regardless of who has possession of the Products. Transport costs and other costs necessary to recover the Products as well as extraordinary expenses and those that can be recovered, shall be charged to the Customer.

## 11. PATENTS, TRADEMARKS AND DISTINCTIVE MARKS

11.1 The Customer is aware that the Products are covered by patents and incorporate know-how and design that are the exclusive property of FRATELLI COMUNELLO SPA, pursuant to the Italian Industrial Property Code.

11.2 The Customer is expressly forbidden from infringing such FRATELLI COMUNELLO SPA's rights; in any case, the Customer may not in any way remove, delete or otherwise alter the trademarks or other signs or distinctive marks of any kind affixed to Products; the Customer

is likewise forbidden from affixing new ones of any kind. Any form of reproduction or use of the FRATELLI COMUNELLO SPA trademark and of any other distinctive mark on the Products is forbidden, without written authorization by

FRATELLI COMUNELLO SPA.

## 12. EXPRESS TERMINATION CLAUSE

12.1 Pursuant to article 1456 of the Italian Civil Code, any delay of more than ten days in the paMYent, or any non-paMYent of the Price, including partial, by the Client, as provided for in Article 6 of these General Terms and Conditions of Sale, shall result in termination of the purchase contract and FRATELLI COMUNELLO SPA shall be entitled to seek compensation from the Customer for the damage suffered, in addition to restitution of the Products not paid by the Customer.

12.2 The notice referred to in the previous paragraph shall be sent by registered mail with return receipt or via certified email address (Pec).

## 13. AGREEMENT BETWEEN THE PARTIES

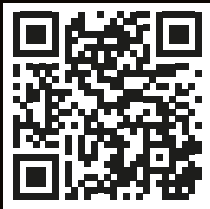
13.1 Any agreements, existing or that will take place between FRATELLI COMUNELLO SPA and the Customer, in relation to returns and paMYent methods, shall prevail over the provisions of these General Terms and Conditions of Sale.

## 14. APPLICABLE LAW AND JURISDICTION

14.1 The purchase contracts entered into in accordance with the General Terms and Conditions of Sale are subject to Italian law only, with the exclusion of any other legislation.

14.2 All disputes that may arise on the mentioned purchase contracts shall be subject to Italian jurisdiction and referred to the exclusive competence of the Court of Vicenza, including if the agreed paMYent method is by bank collection order or draft payable at the customer's. (Italy). The content of this catalogue is subject to change at any time and without notice by FRATELLI COMUNELLO SPA.

(Italy). The content of this catalogue is subject to change at any time and without notice by FRATELLI COMUNELLO SPA.



Help Desk **+39 0424 585 111**

---

**[www.comunello.com](http://www.comunello.com)**

FRATELLI COMUNELLO S.P.A.

**HEADQUARTERS**

Via Zarpellon, 33  
36027 San Giuseppe di Cassola, Vicenza, Italy  
Tel. +39 0424 585111 Fax +39 0424 533417  
[info@comunello.it](mailto:info@comunello.it) [www.comunello.com](http://www.comunello.com)

**REGISTERED OFFICE**

Via Cassola,64 - C.P.79  
36027 Rosà, Vicenza, Italy  
Tel. +39 0424 585111 Fax +39 0424 533417  
[info@comunello.it](mailto:info@comunello.it) [www.comunello.com](http://www.comunello.com)